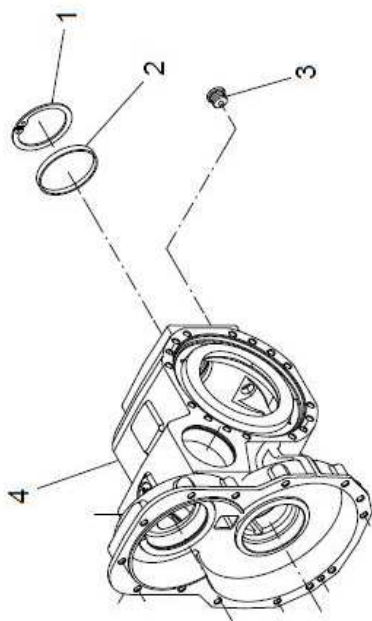


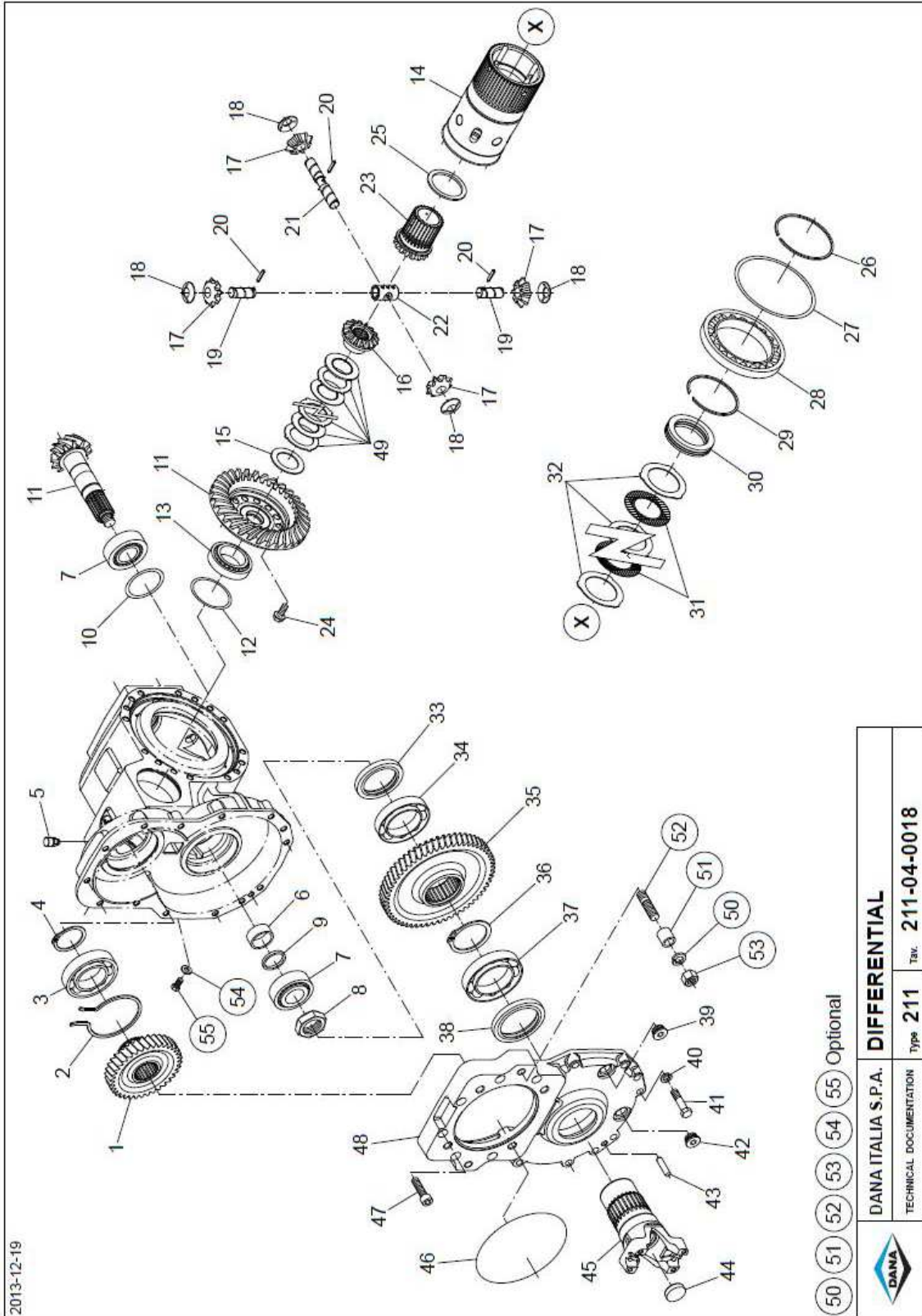
VUES NUES PONT DANA N° 603-211-078

Vue n° 1



05-11-2001

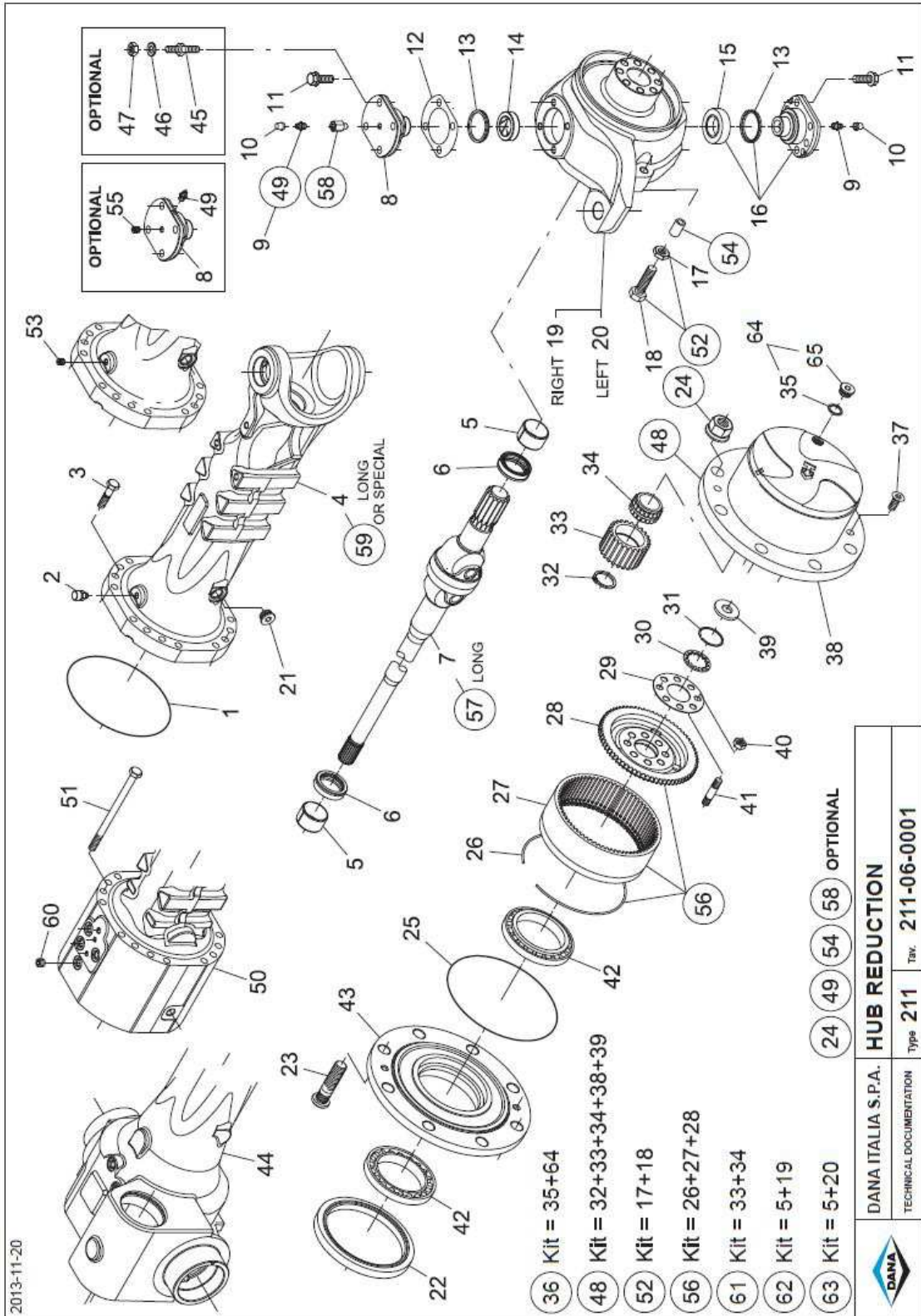
	DANA ITALIA S.P.A.	CENTRAL HOUSING
	TECHNICAL DOCUMENTATION	Type 211 <small>Trav.</small> 211-01-0002

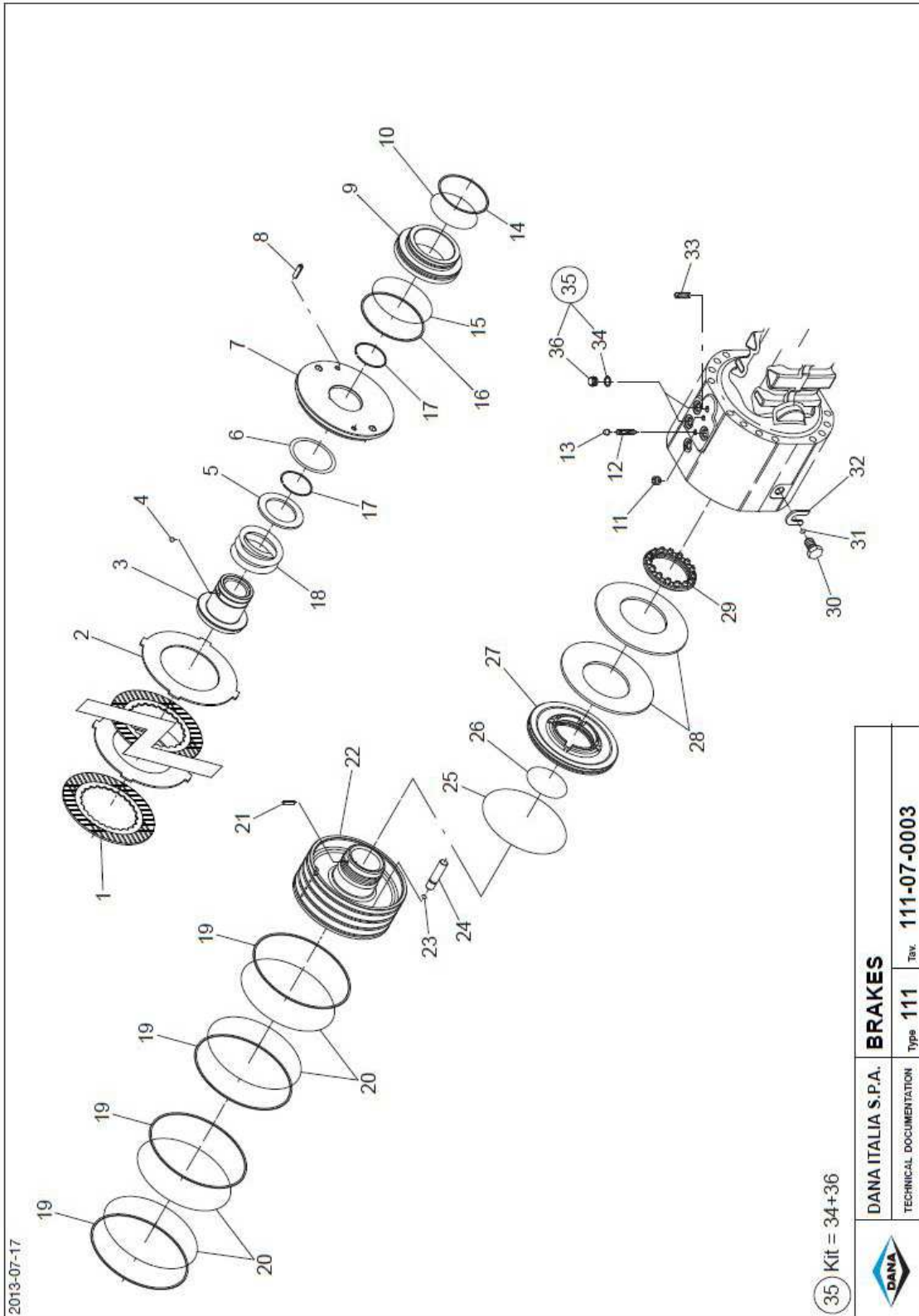


2013-12-19

50 51 52 53 54 55 Optional

	DANA ITALIA S.P.A. DIFFERENTIAL	
	TECHNICAL DOCUMENTATION	Type 211
		TRV. 211-04-0018

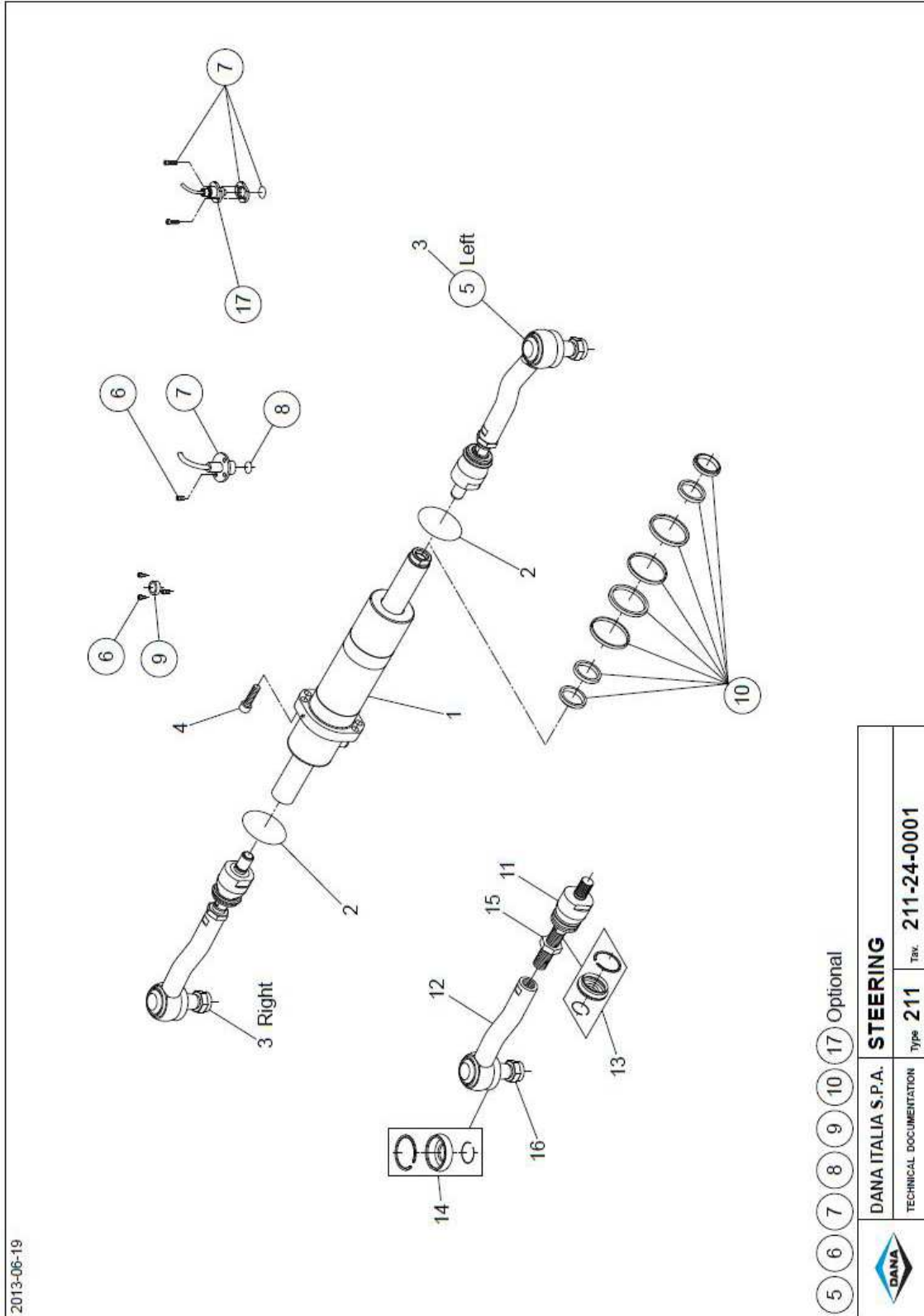




2013-07-17

35 Kit = 34+36

	DANA ITALIA S.P.A. BRAKES	
	TECHNICAL DOCUMENTATION Type 111	Rev. 111-07-0003



2013-06-19

5 6 7 8 9 10 17 Optional

DANA ITALIA S.P.A. **STEERING**

TECHNICAL DOCUMENTATION Type 211 Tax. 211-24-0001

