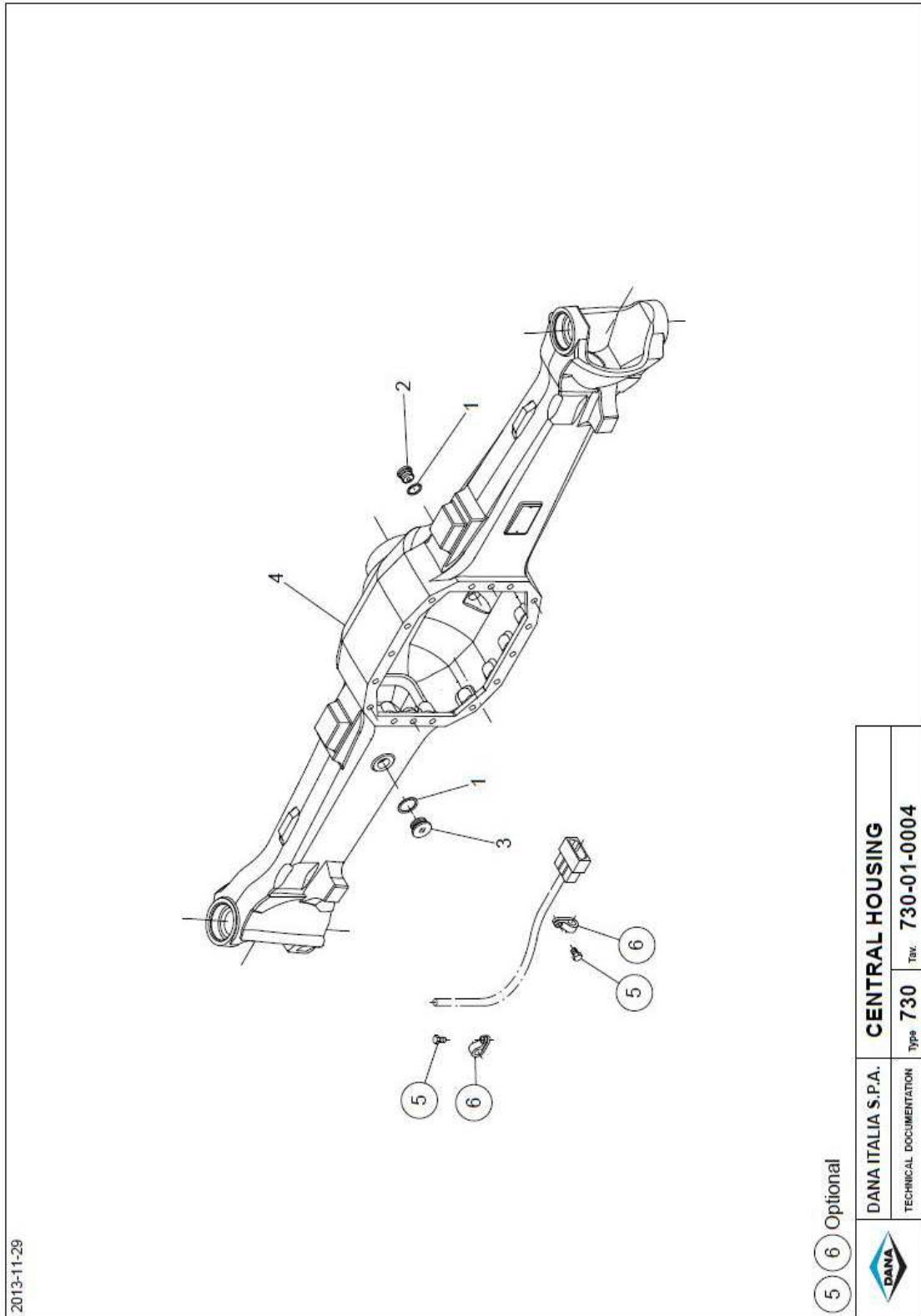
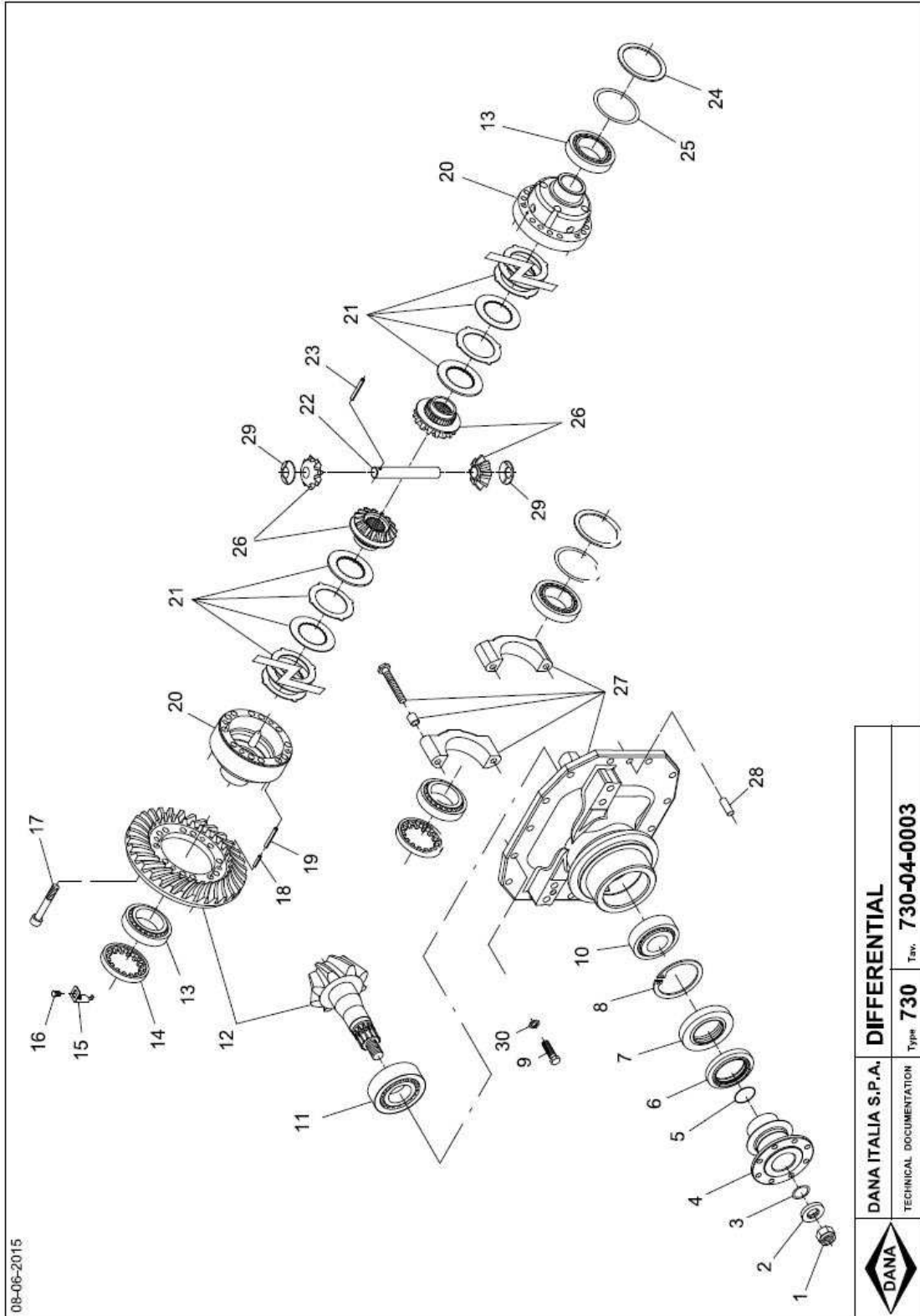


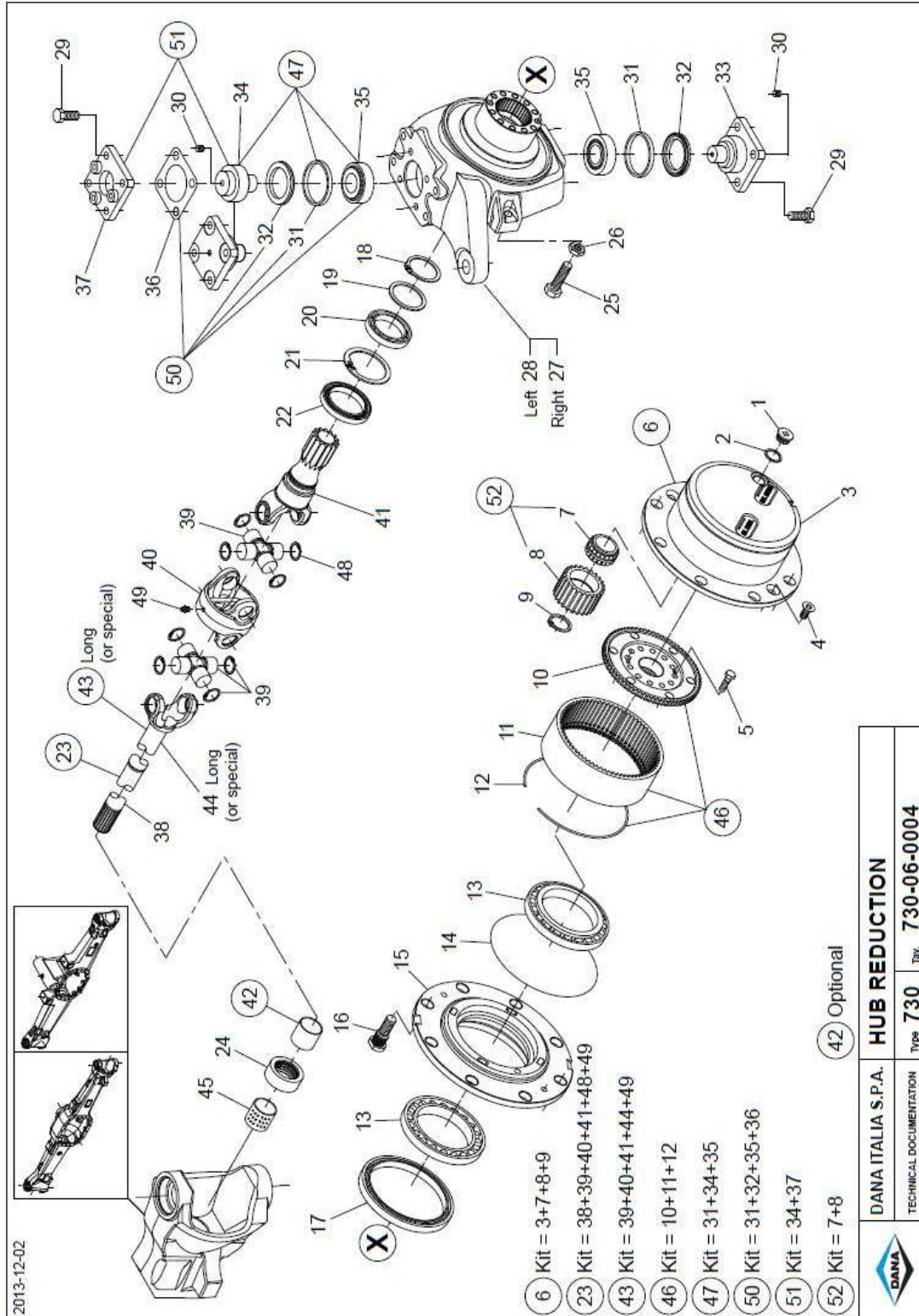
Vue n° 1

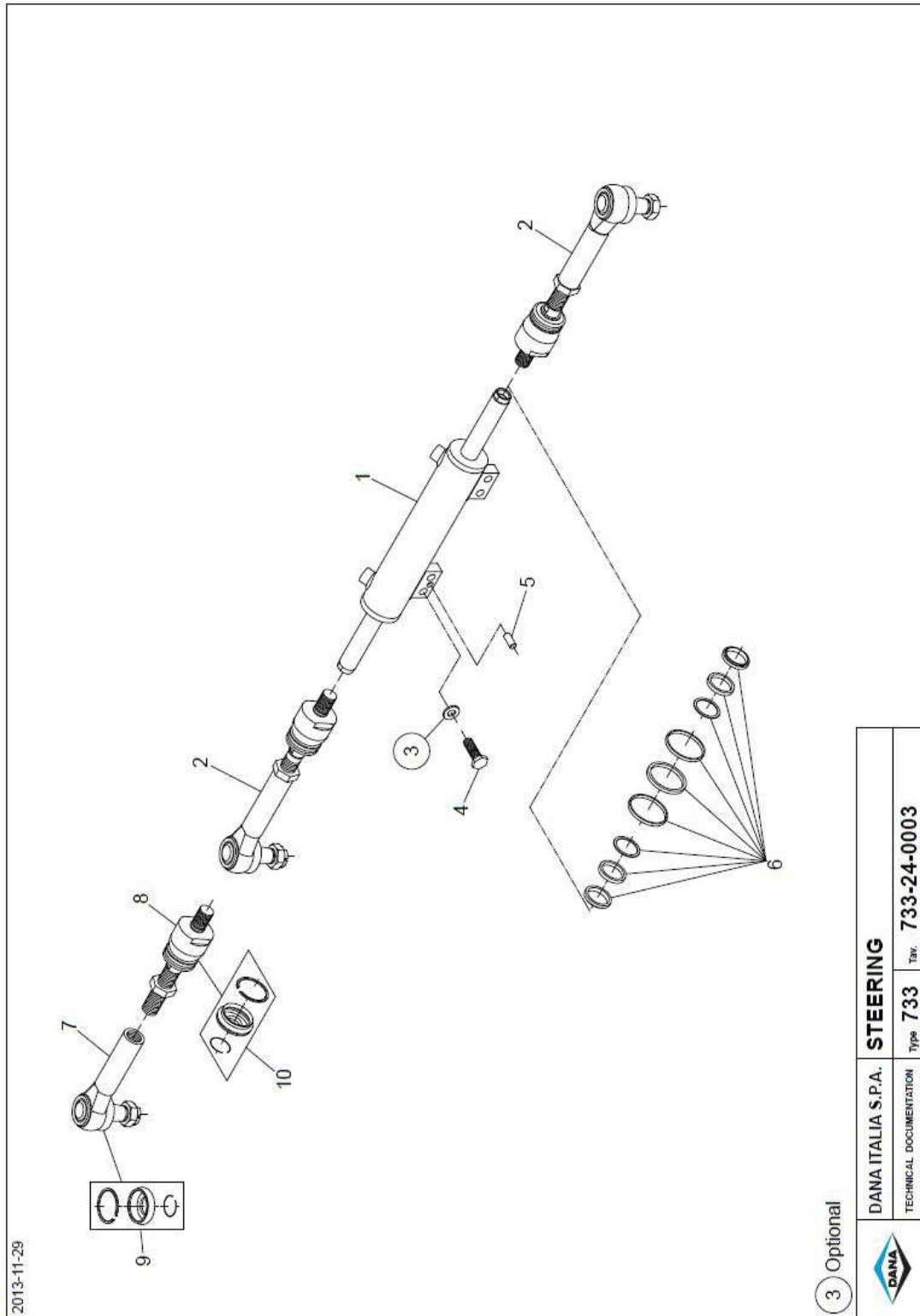




08-06-2015

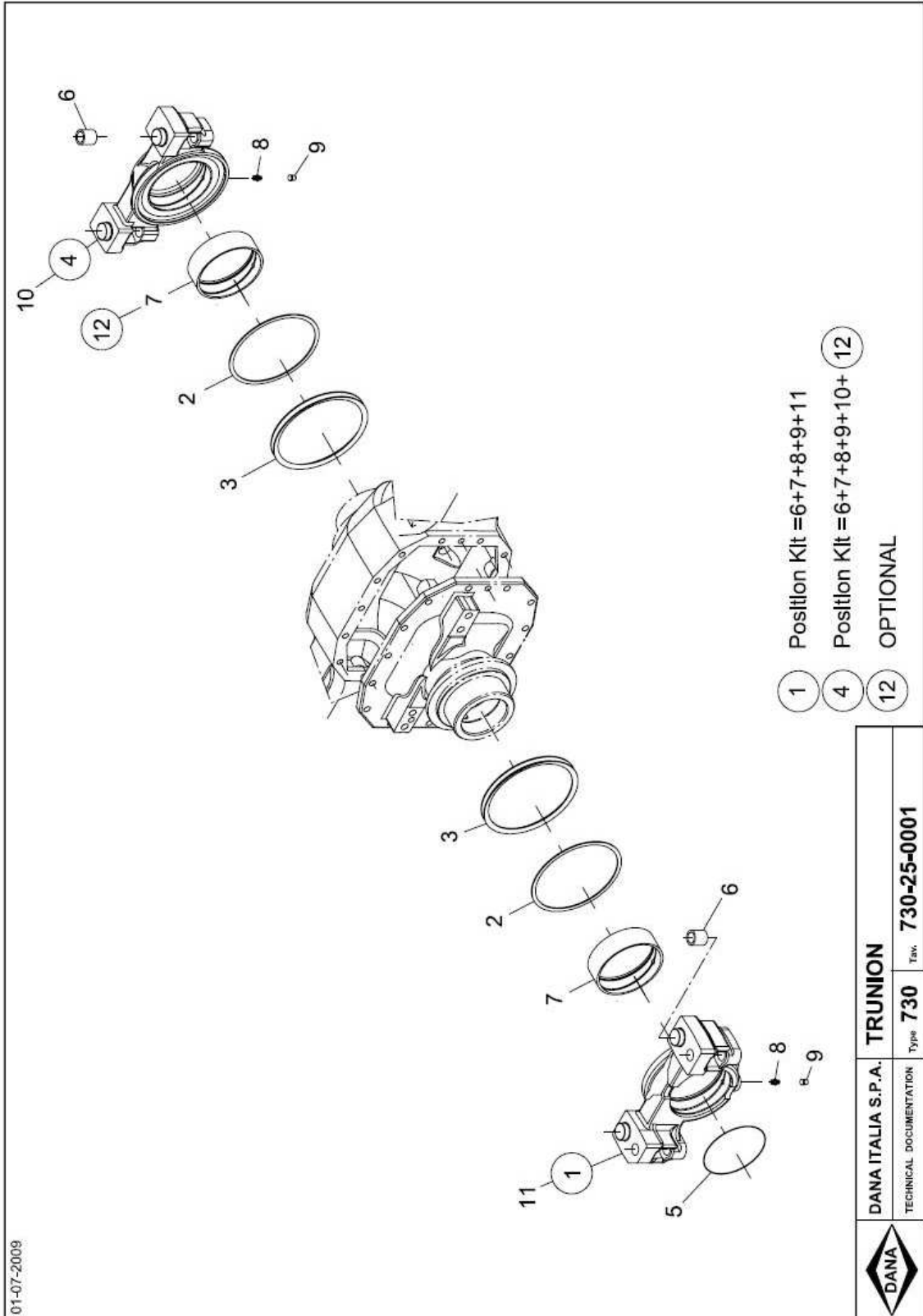
	DANA ITALIA S.P.A.	<b>DIFFERENTIAL</b>
	TECHNICAL DOCUMENTATION	Type <b>730</b> Rev. <b>730-04-0003</b>





3 Optional

	DANA ITALIA S.P.A.	<b>STEERING</b>
	TECHNICAL DOCUMENTATION	Type 733 <small>TRV.</small> 733-24-0003



01-07-2009

	DANA ITALIA S.P.A.	TRUNION	
	TECHNICAL DOCUMENTATION	Type 730	Rev. 730-25-0001