

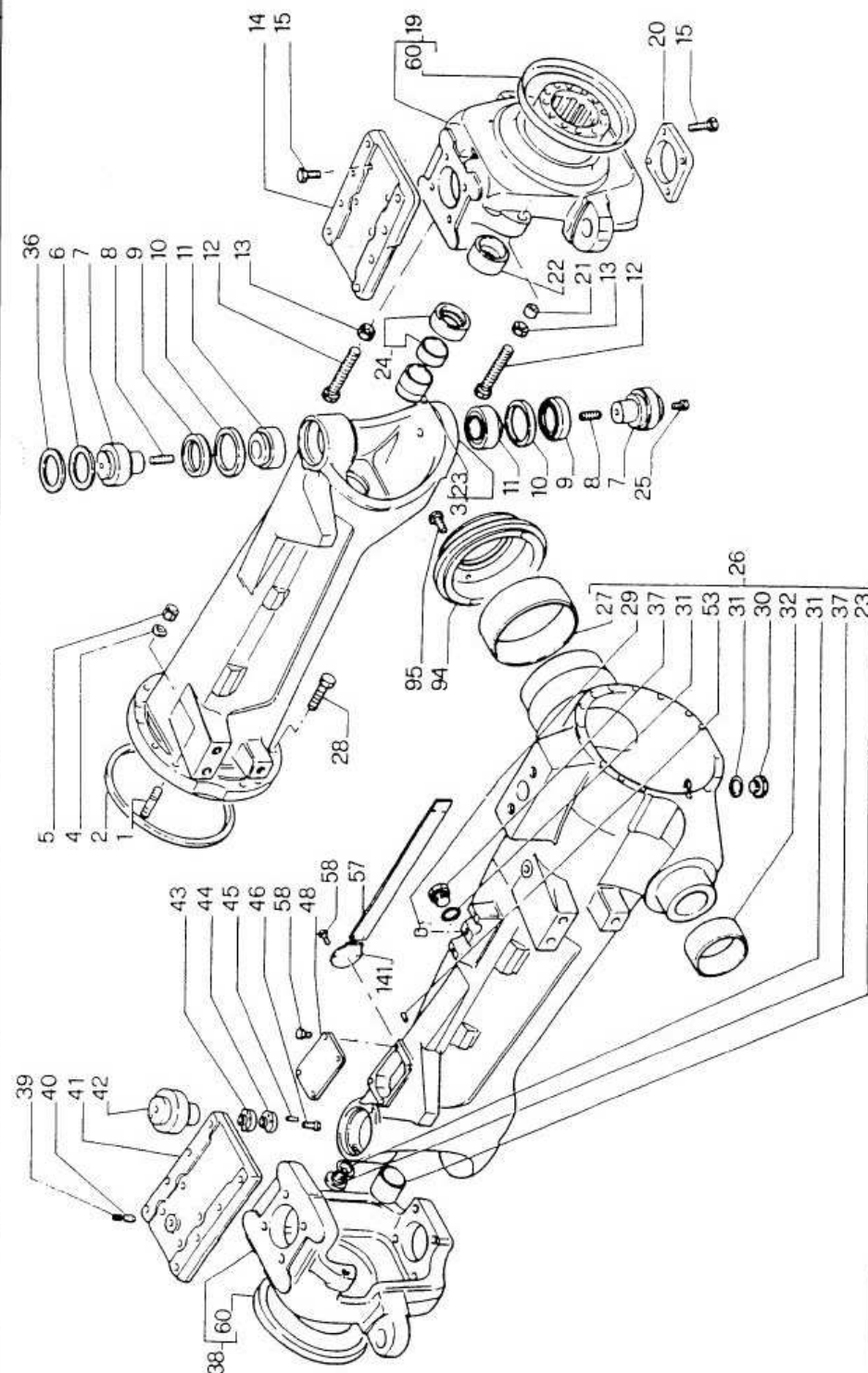
DANA ITALIA S.p.A.  
SPICE OF HIGHT AXLE DIVISION

DOC. N°  
M-04-29  
r. 0

**DISEGNO SCHEMATICO (ESPLOSO)**

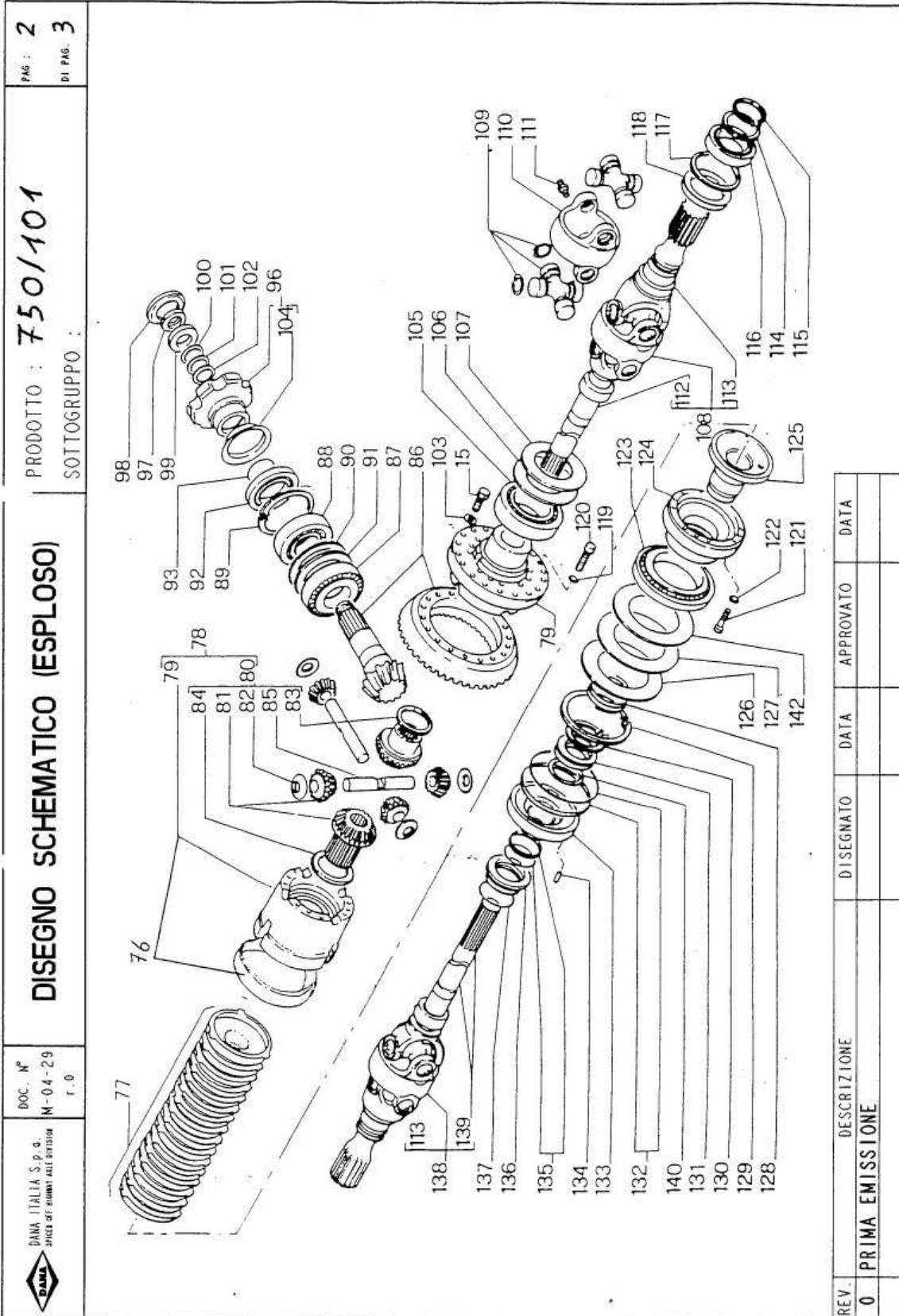
PRODOTTO : **750/101**  
SOTTOGRUPPO :

PAG. : **1**  
DI PAG. **3**


  


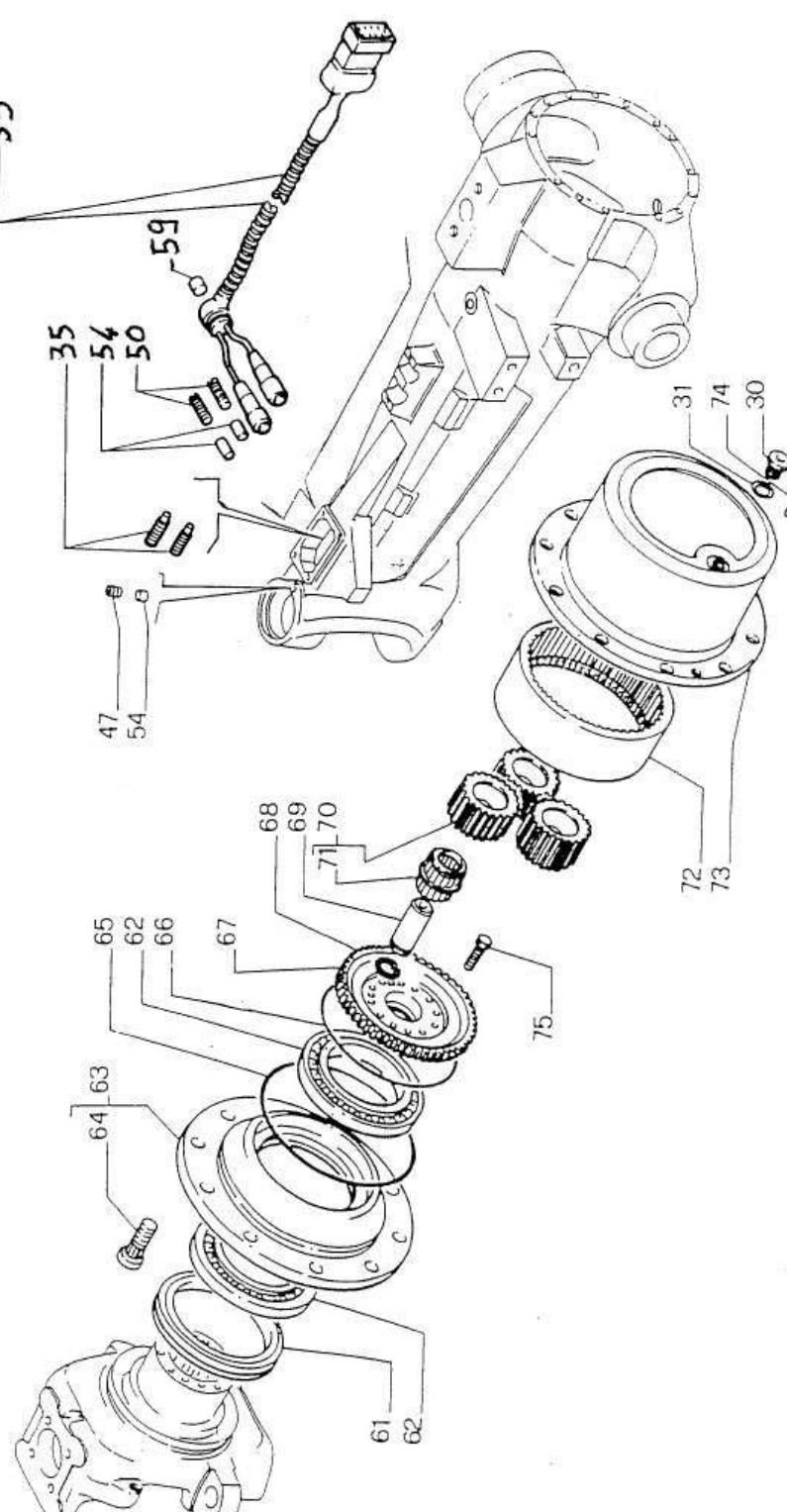
The diagram shows an exploded view of a Dana axle assembly. The main components are labeled with numbers: 1 (axle housing), 2, 3, 4, 5 (axle shaft), 6, 7, 8, 9, 10, 11, 12, 13, 14, 15 (axle tubes and seals), 16, 17, 18, 19, 20, 21, 22, 23, 24, 25, 26, 27, 28, 29, 30, 31, 32, 33, 34, 35, 36, 37, 38, 39, 40, 41, 42, 43, 44, 45, 46, 47, 48, 49, 50, 51, 52, 53, 54, 55, 56, 57, 58, 59, 60, 61, 62, 63, 64, 65, 66, 67, 68, 69, 70, 71, 72, 73, 74, 75, 76, 77, 78, 79, 80, 81, 82, 83, 84, 85, 86, 87, 88, 89, 90, 91, 92, 93, 94, 95 (various nuts, washers, and seals).

REV.	DESCRIZIONE	DISEGNATO	DATA	APPROVATO	DATA
0	PRIMA EMISSIONE				



REV.	DESCRIZIONE	DISEGNATO	DATA	APPROVATO	DATA
0	PRIMA EMISSIONE				

	DANA ITALIA S.p.a. PIERCE OF BIRMINGHAM DIVISION r. 0	<b>DISEGNO SCHEMATICO (ESPLOSO)</b>	PRODOTTO : <b>750/101</b> SOTTOGRUPPO :	PAG. : <b>3</b> DI PAG. : <b>3</b>
---	---	-------------------------------------	--	---------------------------------------

REV.	DESCRIZIONE	DISEGNATO	DATA	APPROVATO	DATA
0	PRIMA EMISSIONE				