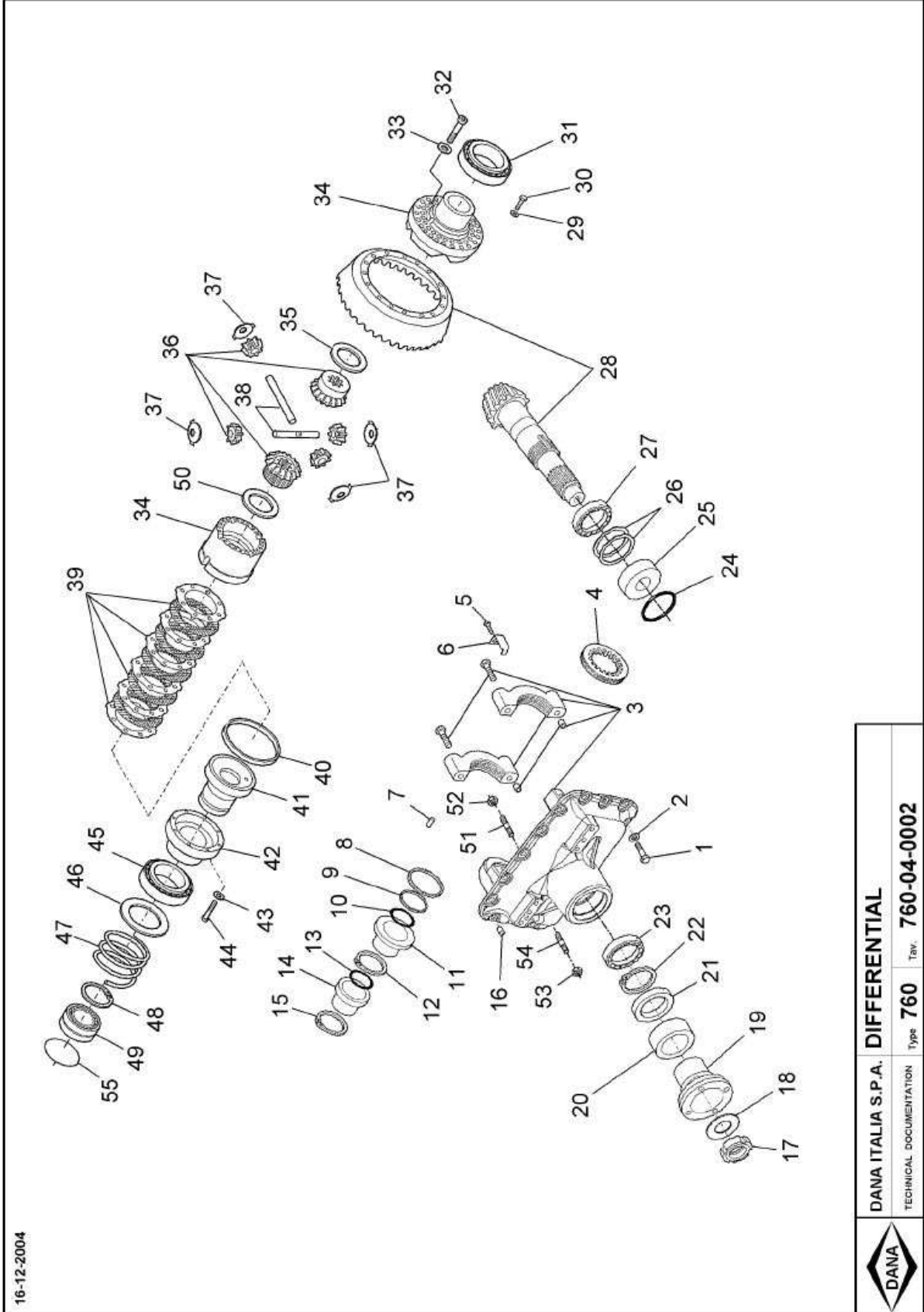


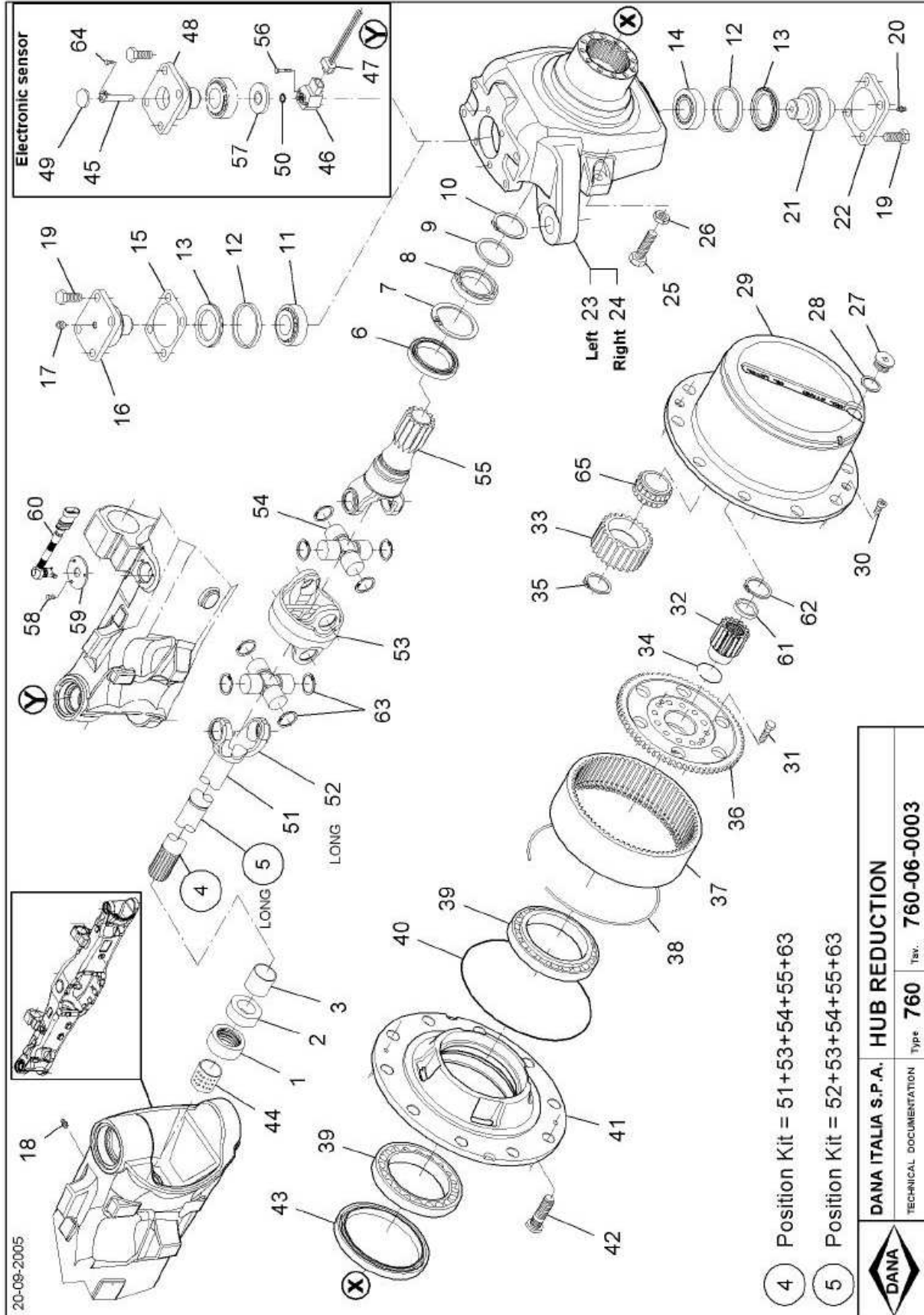
30-12-2005

	DANA ITALIA S.P.A. CENTRAL HOUSING	
	TECHNICAL DOCUMENTATION	Type 760 Trax. 760-01-0004



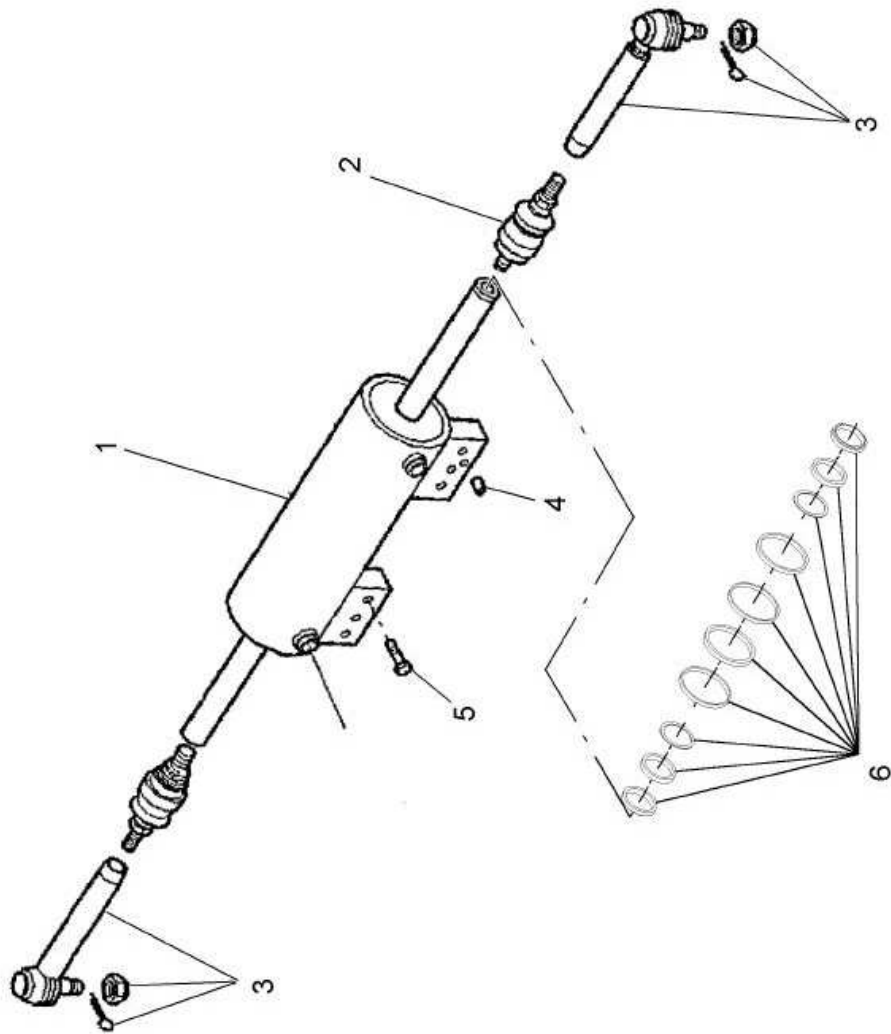
16-12-2004

	DANA ITALIA S.P.A. DIFFERENTIAL	
	TECHNICAL DOCUMENTATION	Type 760 Tav. 760-04-0002



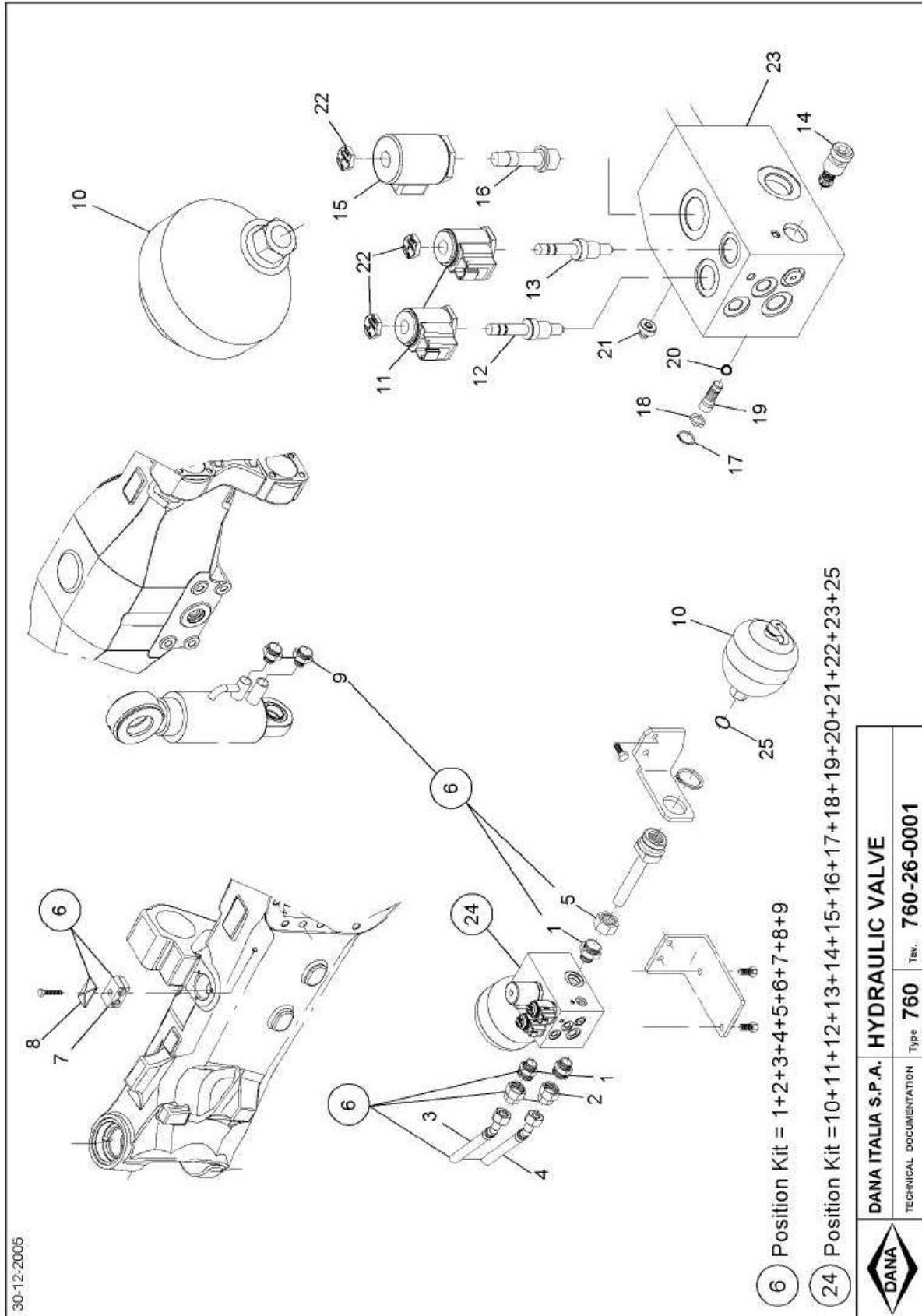
20-08-2005

	DANA ITALIA S.P.A. HUB REDUCTION	
	TECHNICAL DOCUMENTATION	Type 760 Fax. 760-06-0003



17-12-2004

	DANA ITALIA S.P.A. STEERING	
	TECHNICAL DOCUMENTATION	Typ. 760 <small>Trax.</small> 760-24-0001



30-12-2005

	DANA ITALIA S.P.A. <small>TECHNICAL DOCUMENTATION</small>	760	<small>Typ</small>	760-26-0001
	HYDRAULIC VALVE			