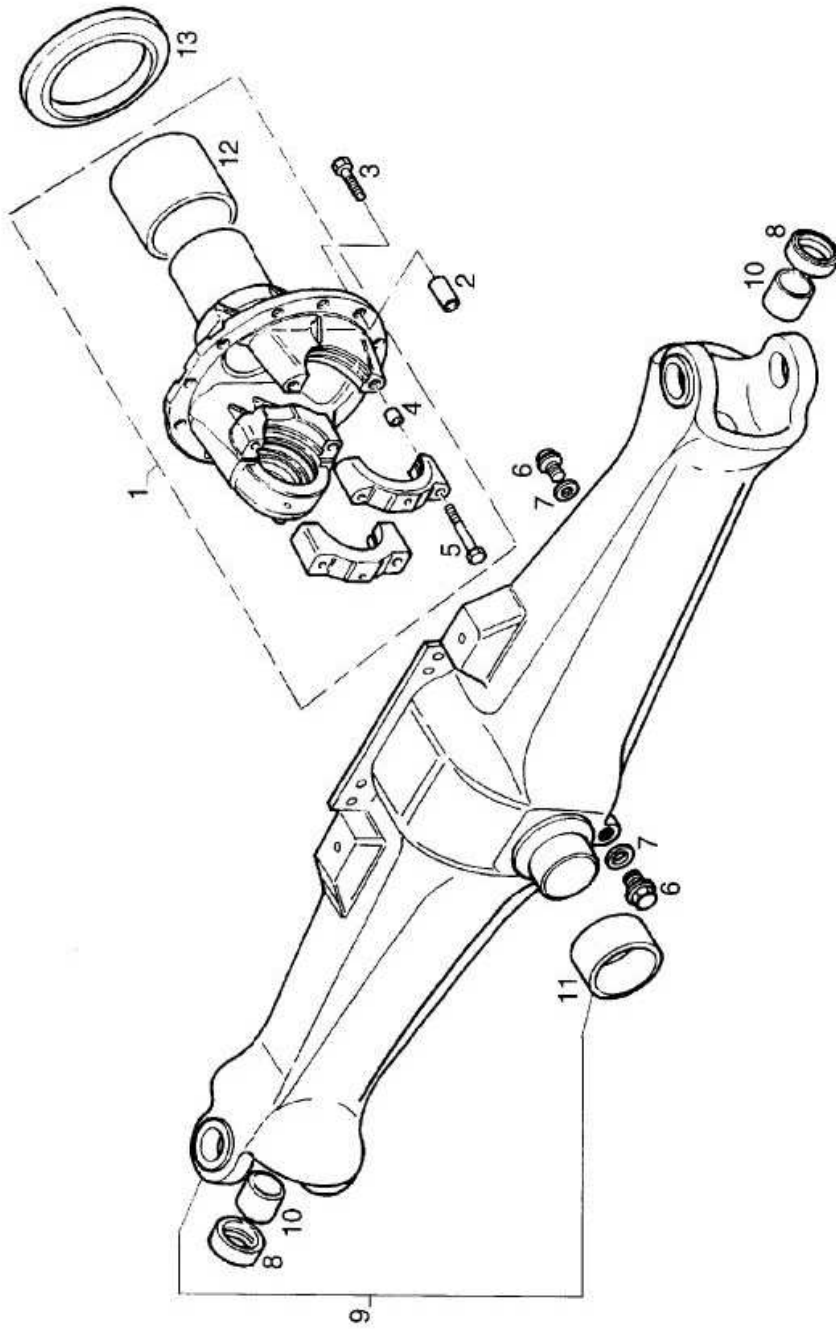


VUES NUES PONT DANA N° AG 200 CDH

Vue n° 1

P/N 3764 338 M93



CORPO ASSALE/SUPPORTO DIFFERENZIALE

AXLE BEAM/DIFFERENTIAL SUPPORT
ACHSGEHAUSE/DIFFERENTIALLAGER

CORPS DE PONT/SUPPORT DIFFERENTIEL
CUERPO DEL EYE/SOPORTE DEL DIFERENCIAL

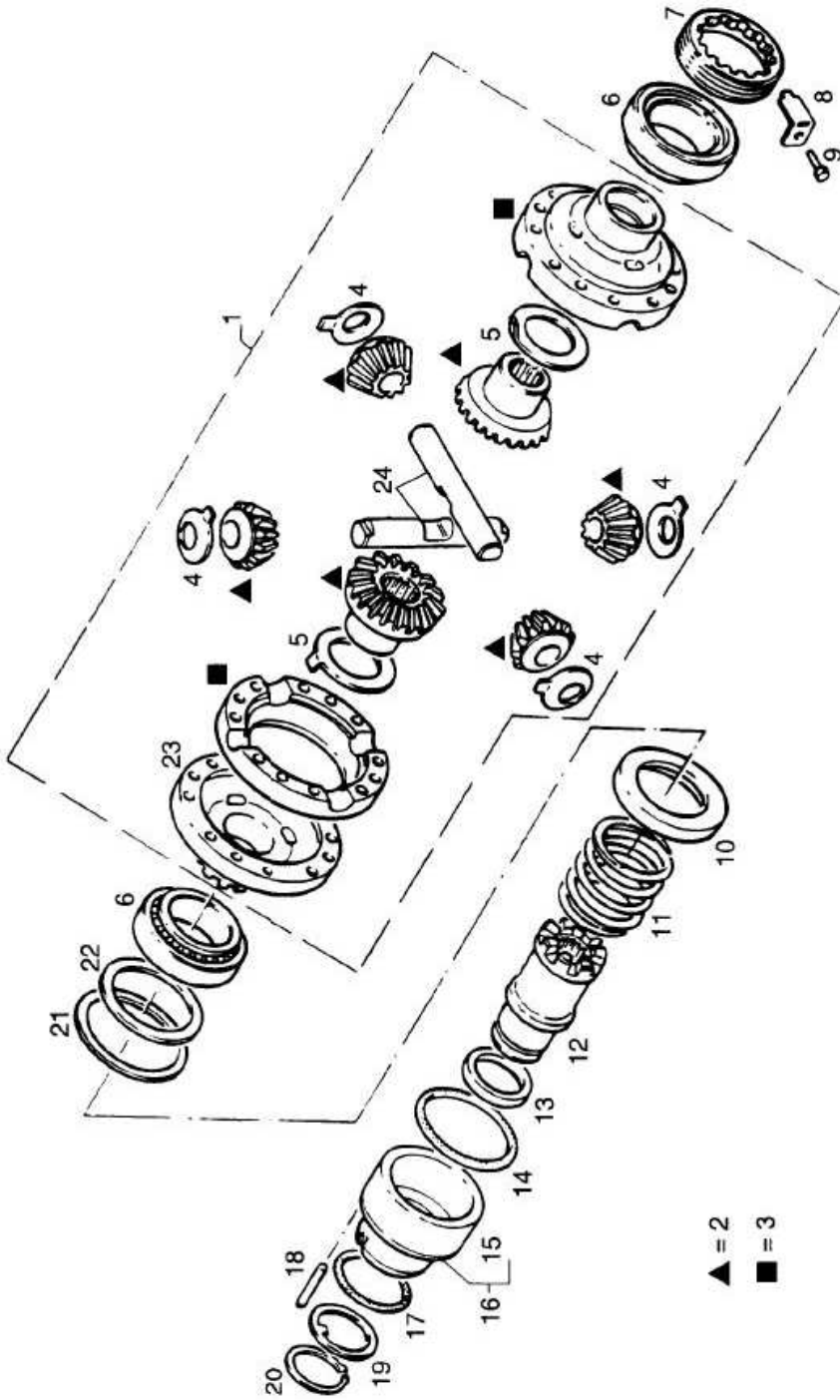


DANA ITALIA S.p.A.

ISSUE 06 DC G-14920 21-09-98

1.0

P/N 3764 338 M93



▲ = 2
■ = 3

DIFFERENZIALE HYDROLOCK
DIFFERENTIAL HYDROLOCK
DIFFERENTIAL HYDROLOCK

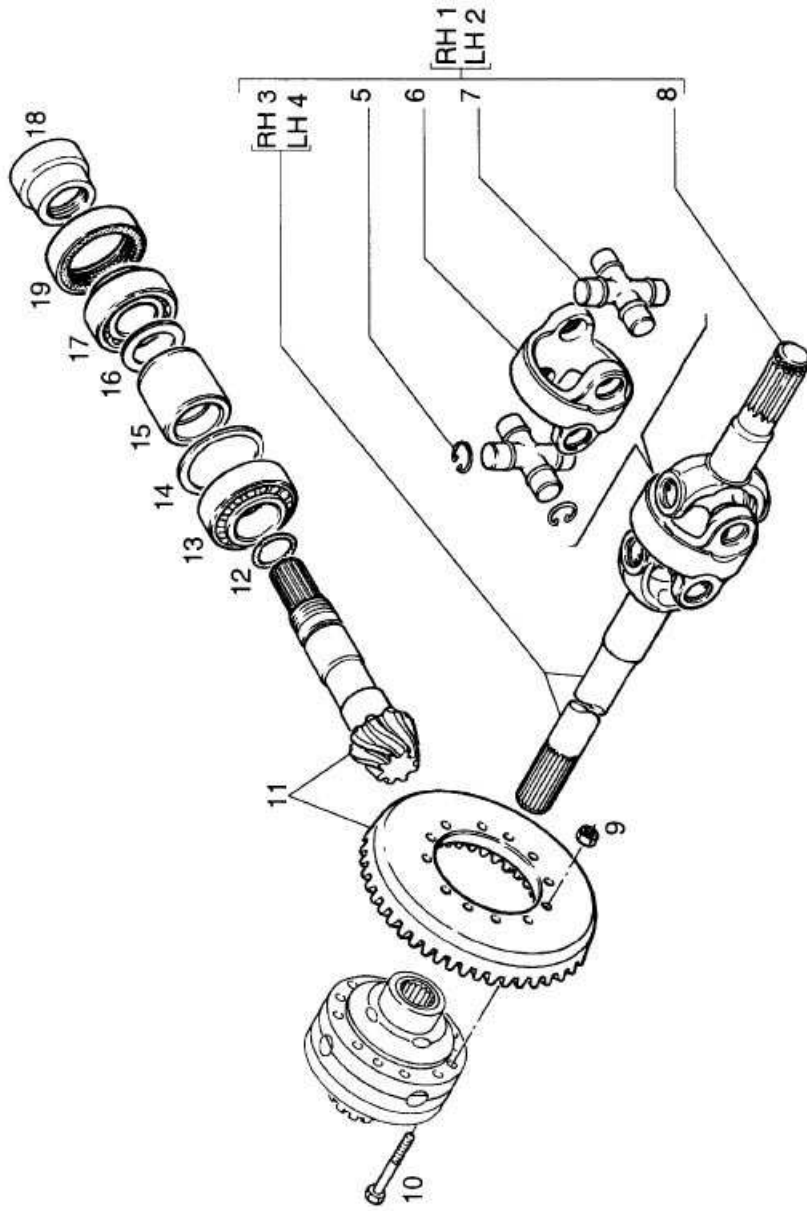
DANA DANA SPICER EUROPE S.p.A.

HYDROCK DIFFERENTIAL
AUSGLEICHGETRIEBE HYDROLOCK

ISSUE 03 DC G-13130 15-05-96

2.0

P/N 3764 338 M93



DANA SPICER EUROPE S.p.A.

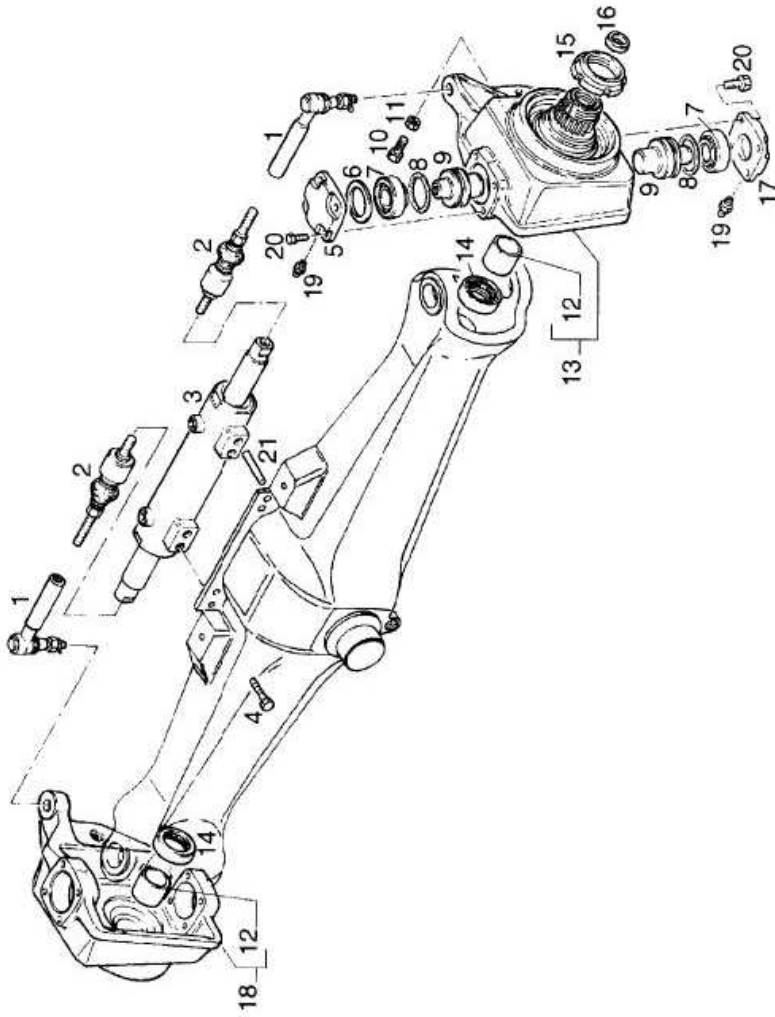
COPPIA CONICA E SEMIASSI
COUPLE CONIQUE ET ARBRE LATERAL
PAR CONICO Y SEMIARBOL

PINION SET AND SIDE SHAFT
KEGELRADANTRIEB UND SEITENWELLE

ISSUE 03 DC G-13130 15-05-96

3.0

P/N 3764 338 M93



FORCELLE E CILINDRO STERZO

HOUSINGS AND STEERING CYLINDER

LENKGABELN UND ZYLINDER

PIVOT ET CYLINDRE DIRECTION

PIVOTE Y CILINDRO DE DIRECCION

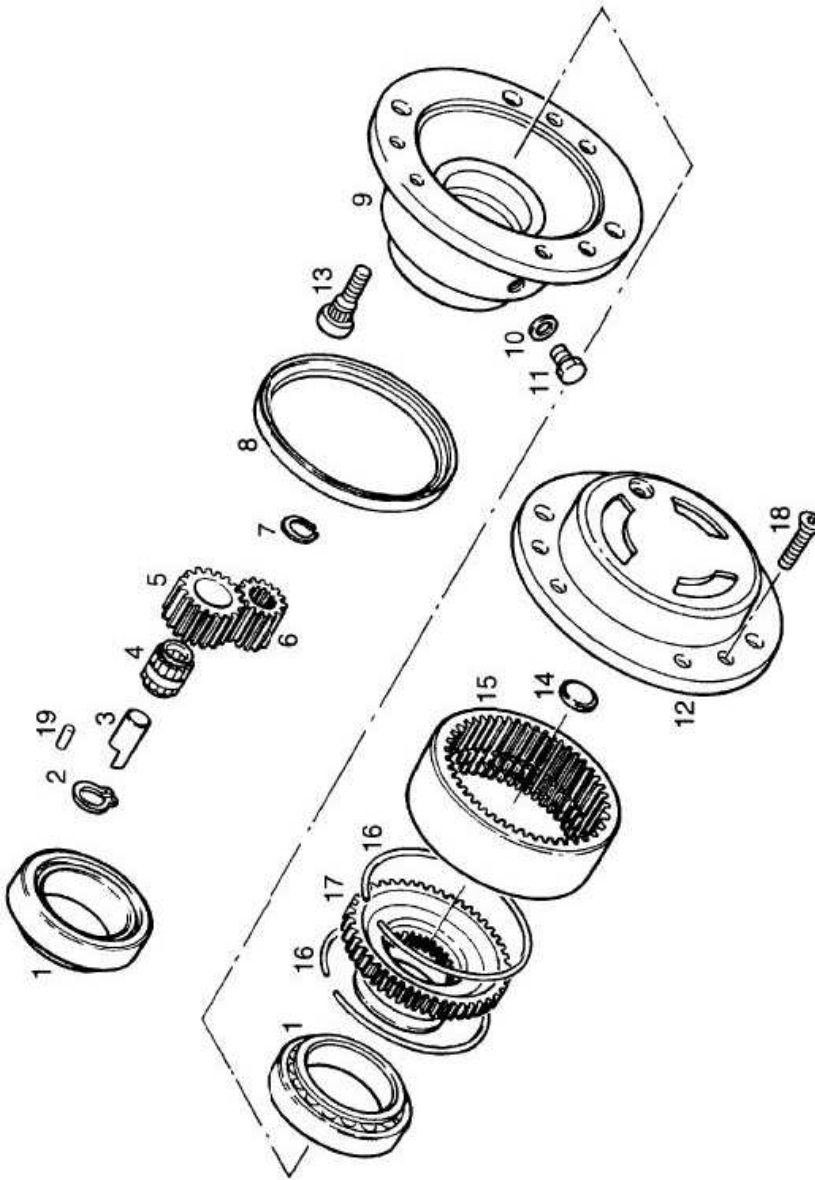


DANA ITALIA S.p.A.

ISSUE 09 DC G-14880 11-09-98

4.0

P/N 3764 338 M93



RIDUTTORE FINALE E MOZZO RUOTA
REDUCTEUR FINAL ET MOYEU DE ROUE
REDUCTOR FINAL Y CUBO DE RUEDA

ISSUE 06 DC G-13520 21-11-96

5.0