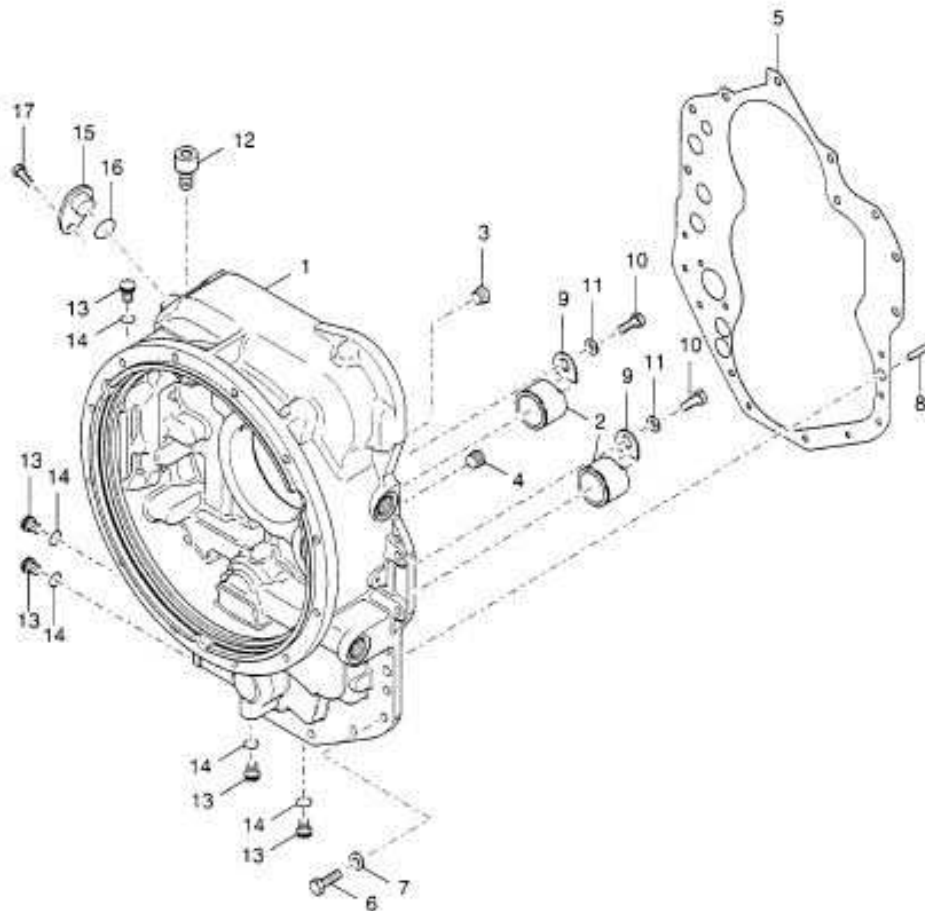
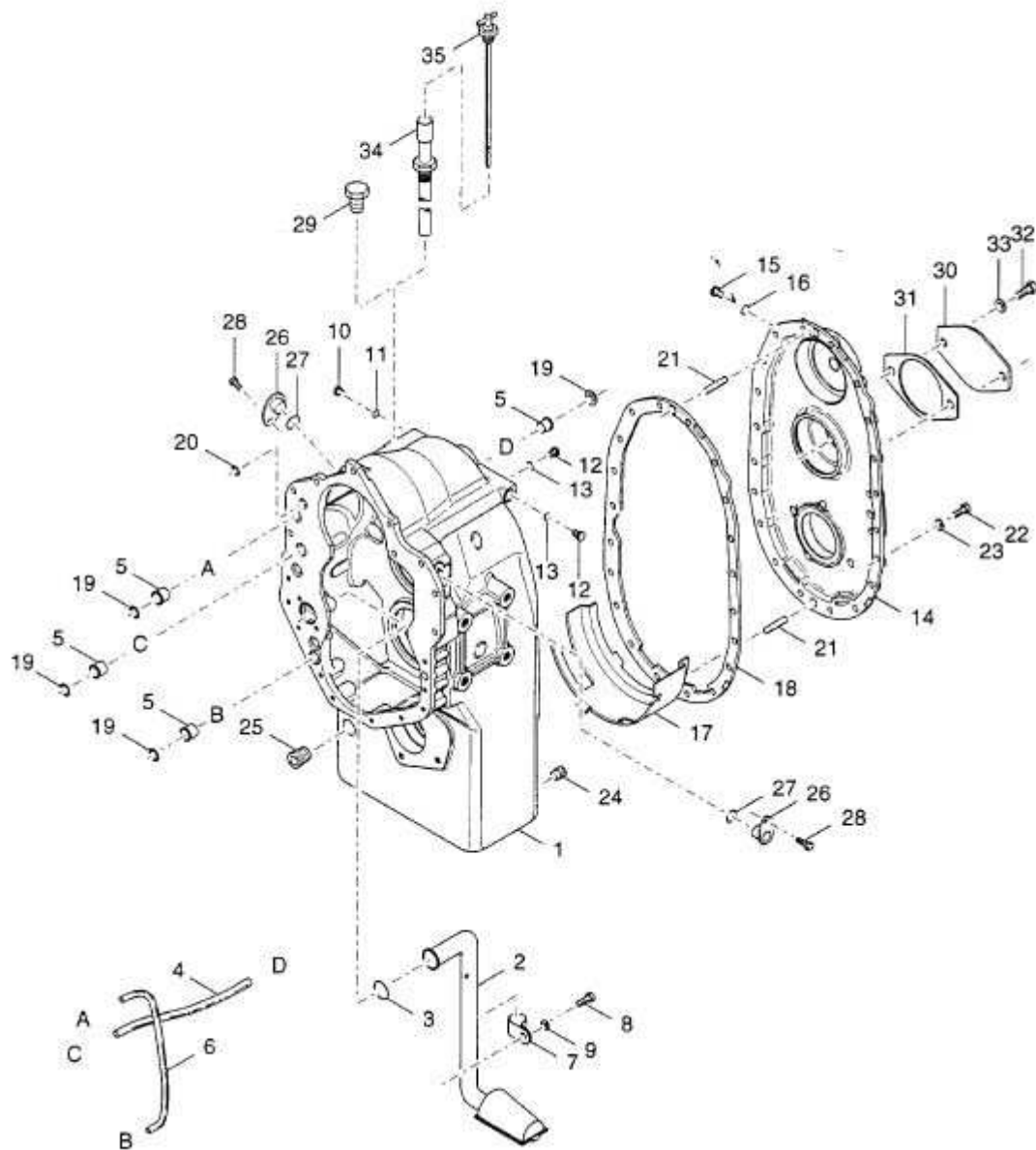


**T20000**  
**CONVERTER HOUSING GROUP**

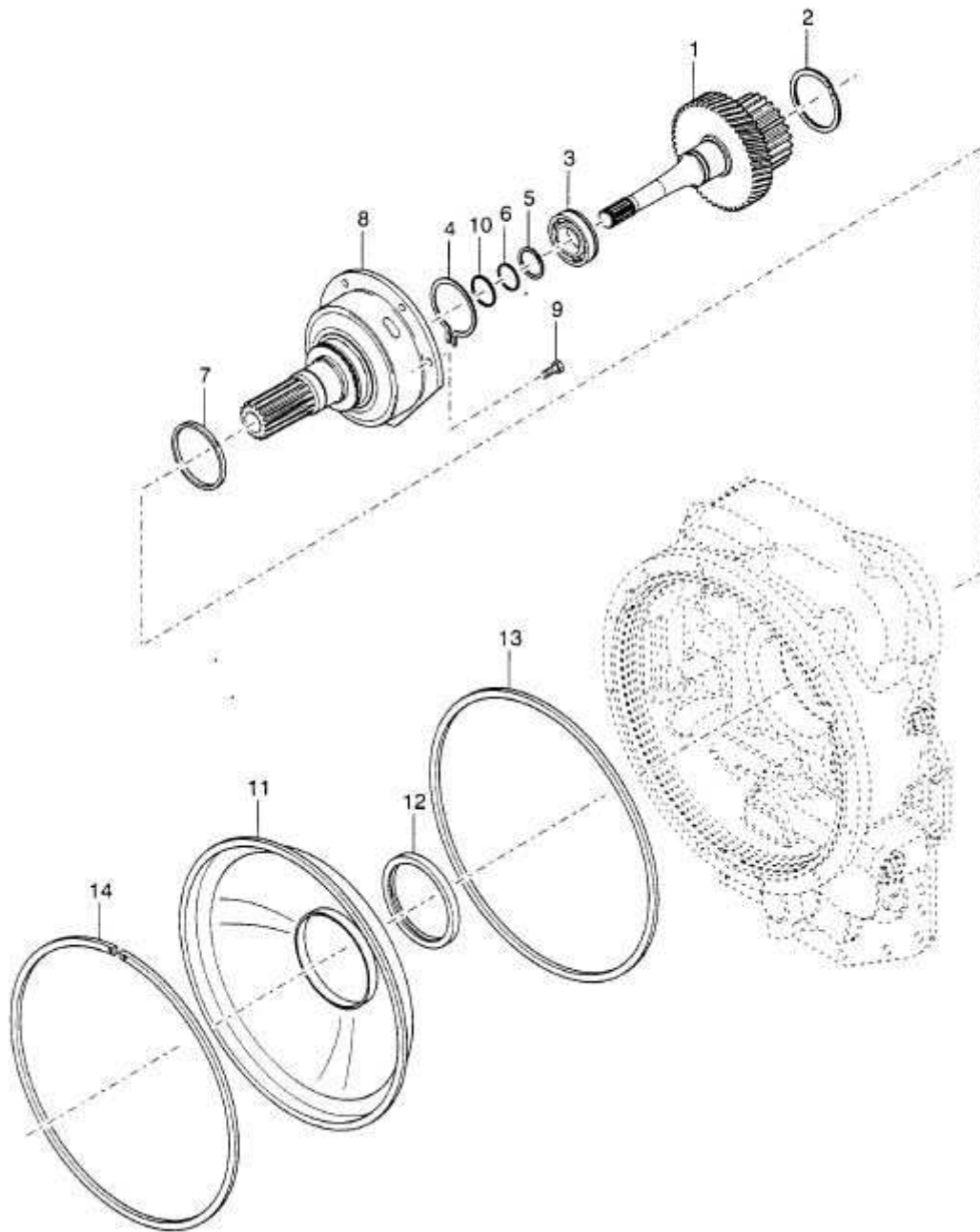


# T20000

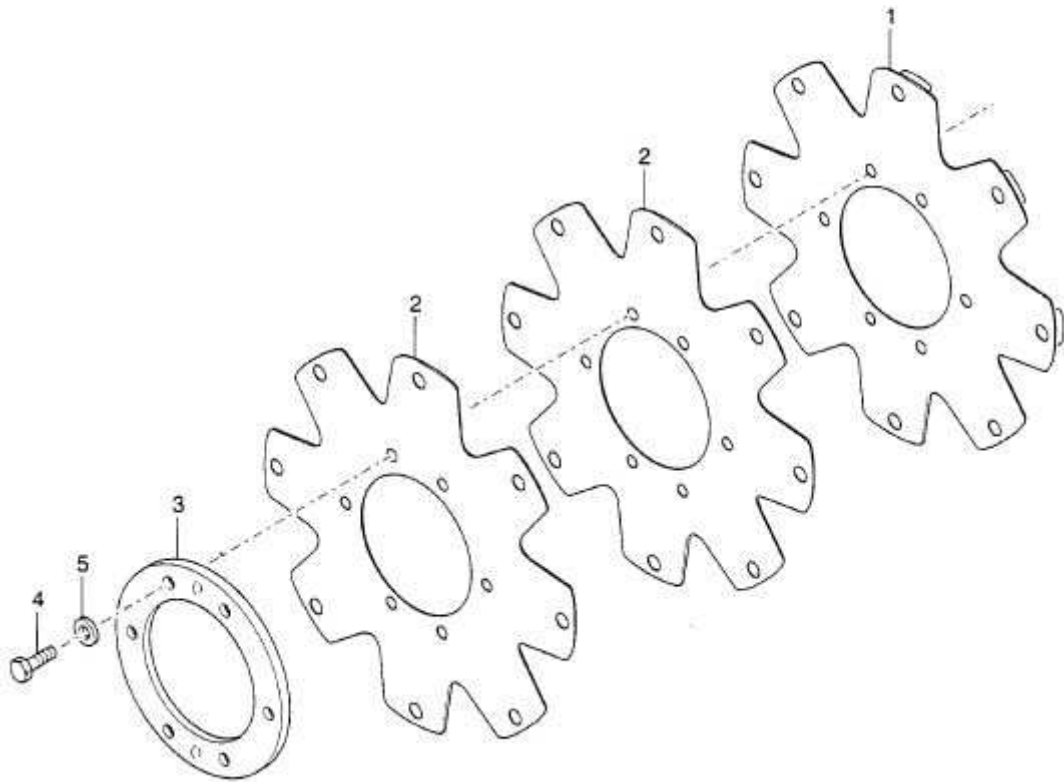
## CASE & REAR COVER GROUP



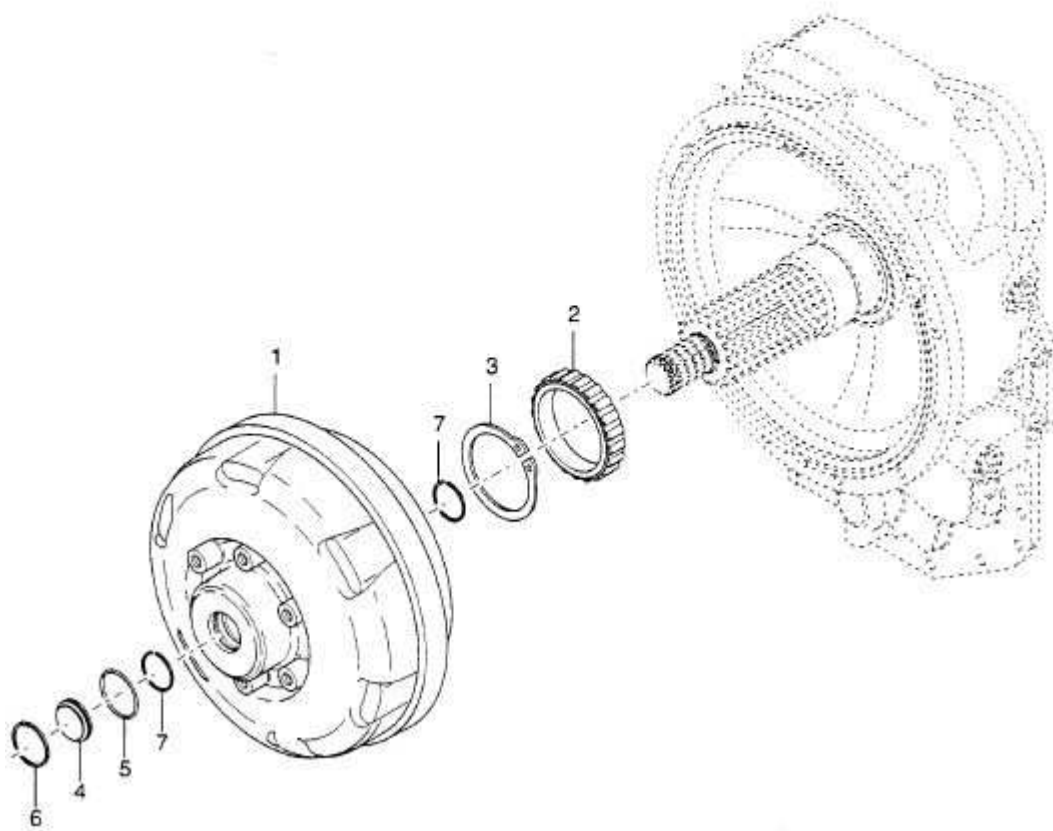
### T20000 TURBINE SHAFT GROUP



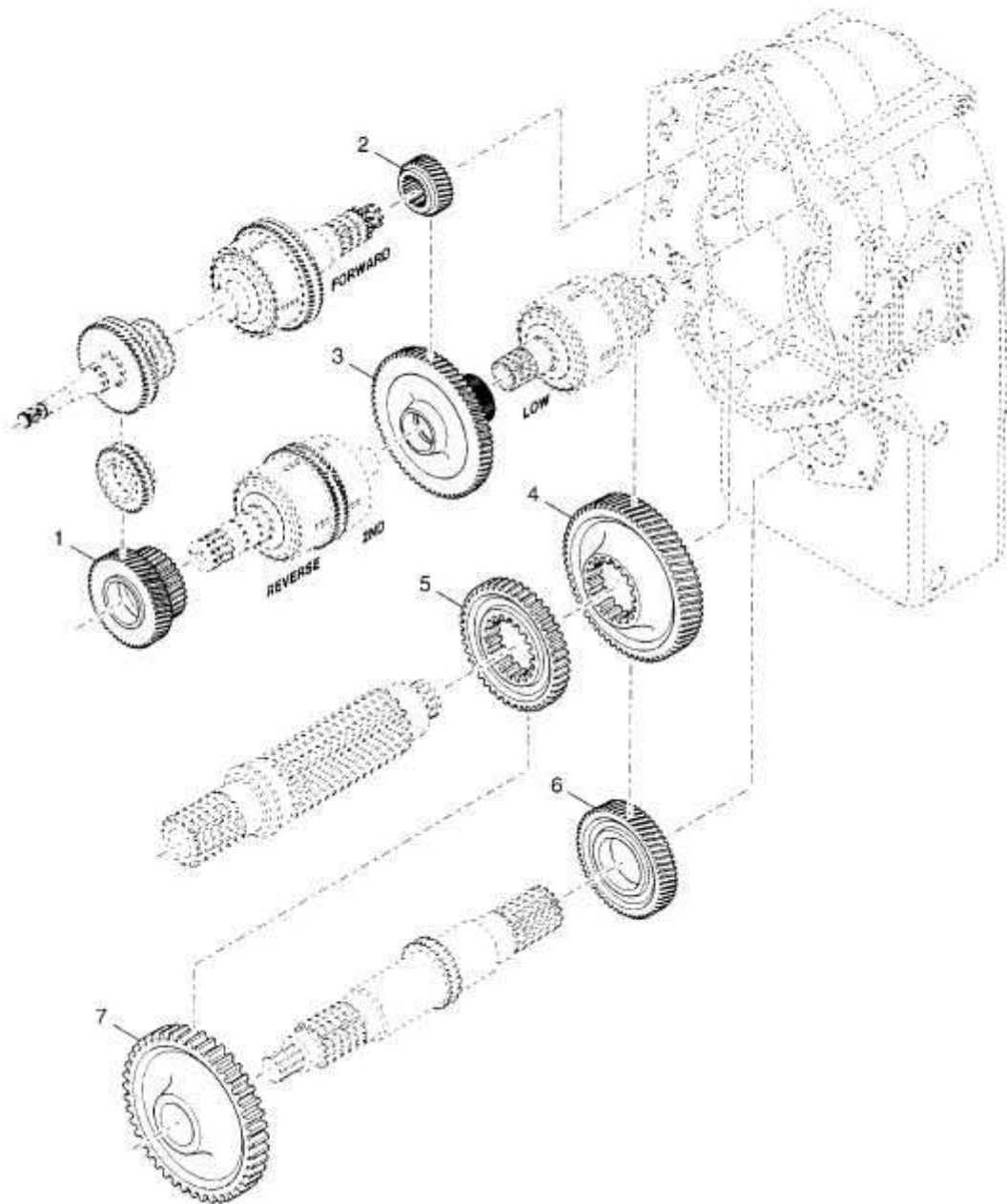
**T20000**  
**DRIVE PLATE GROUP**



**T20000**  
**TORQUE CONVERTER GROUP**

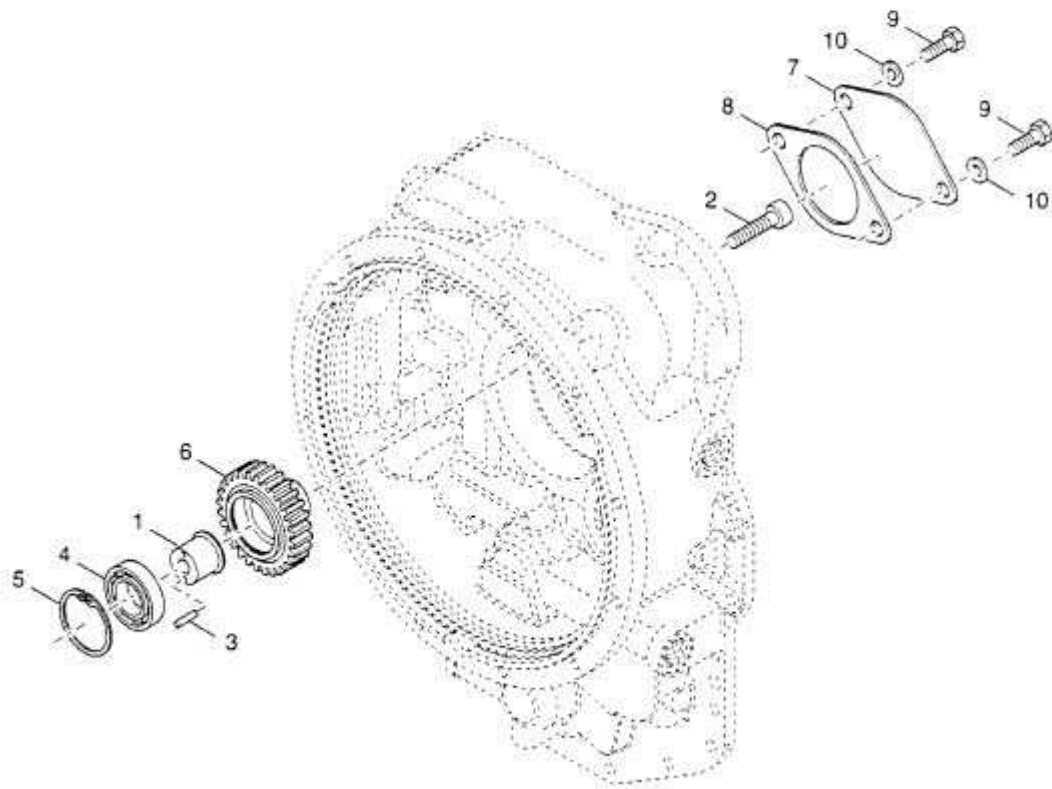


**T20000**  
**GEAR GROUP**



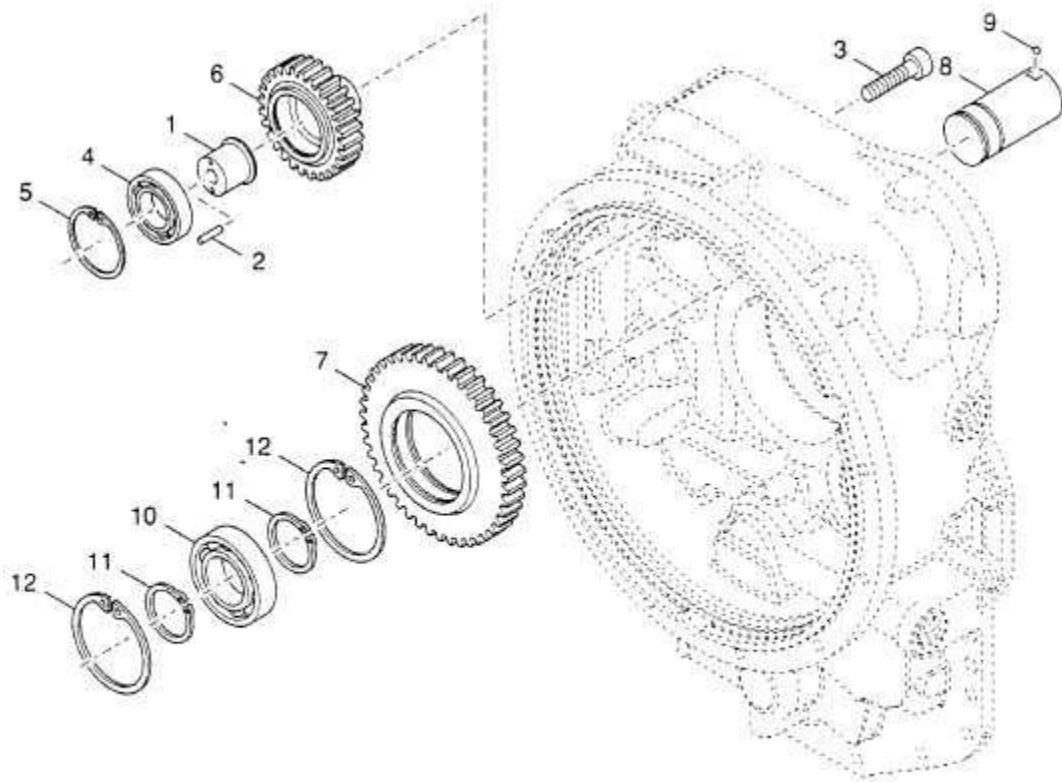
# T20000

## AUXILIARY PUMP DRIVE GROUP



# T20000

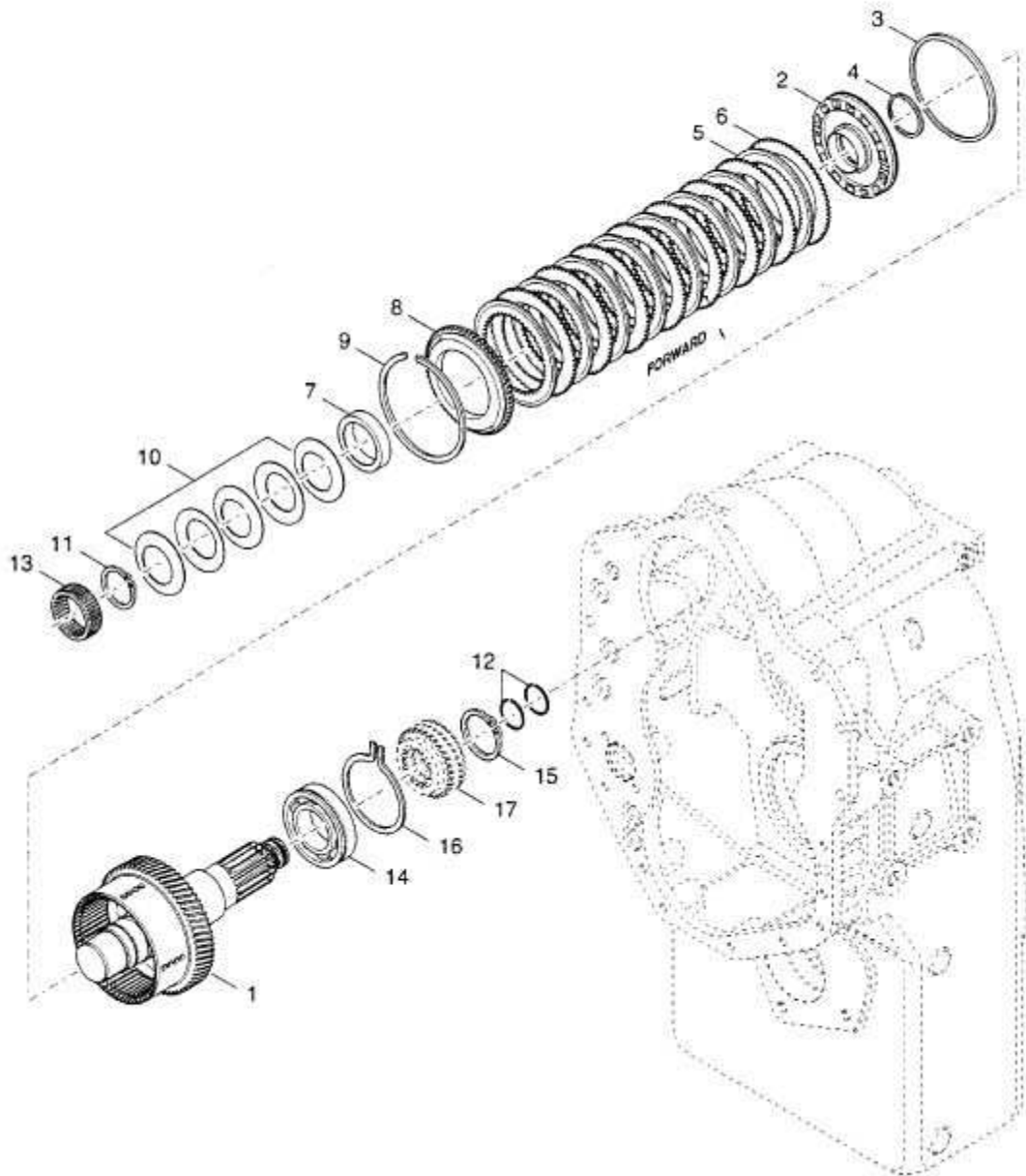
## PUMP DRIVE GROUP





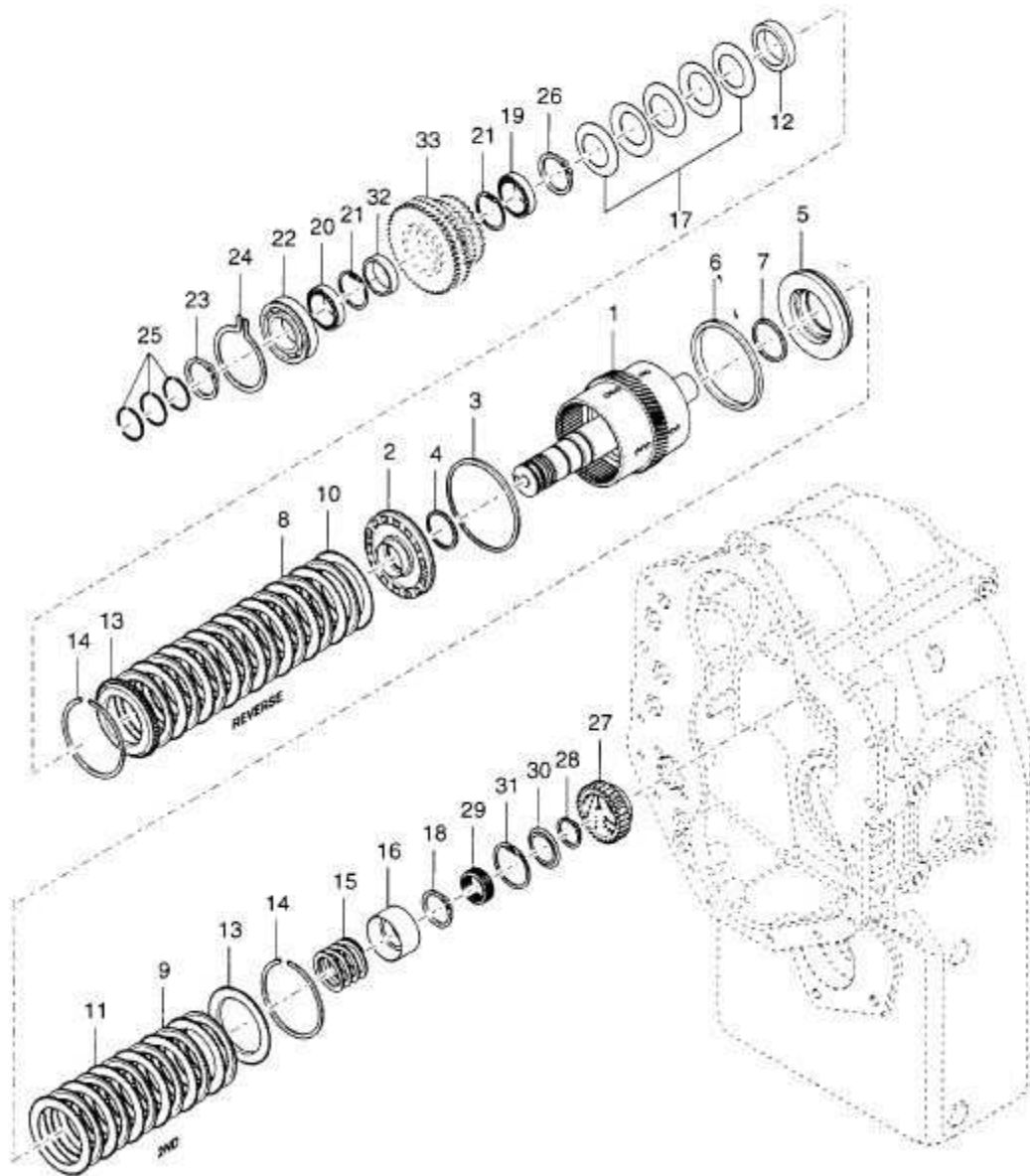
# T20000

## FORWARD SHAFT GROUP

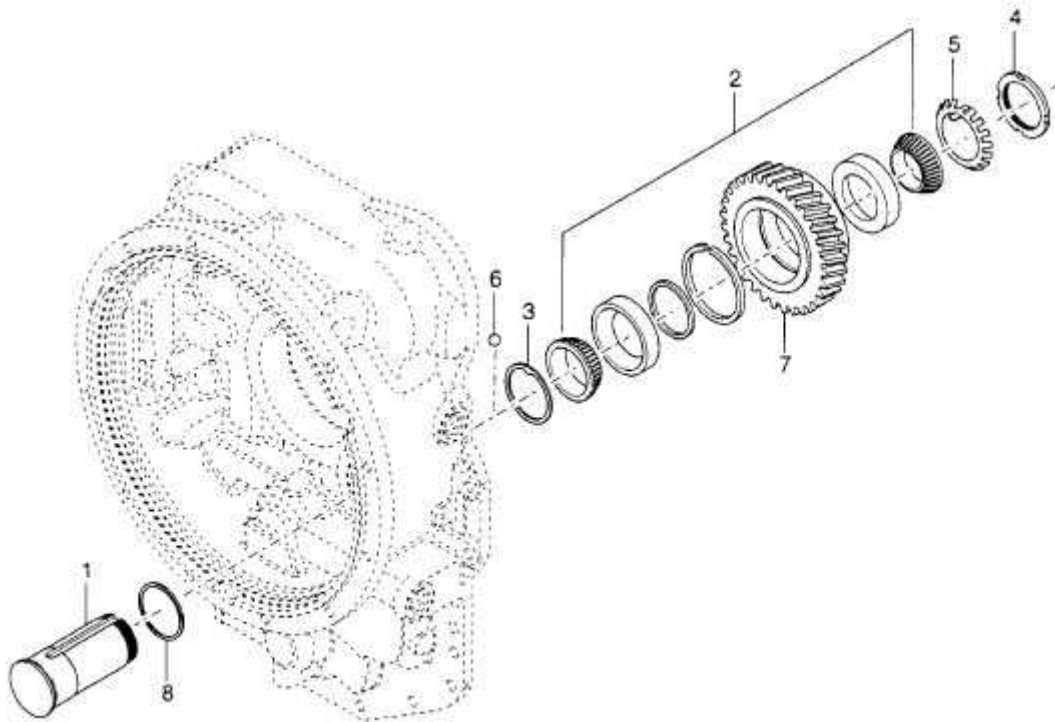


# T20000

## REVERSE AND 2ND SHAFT GROUP

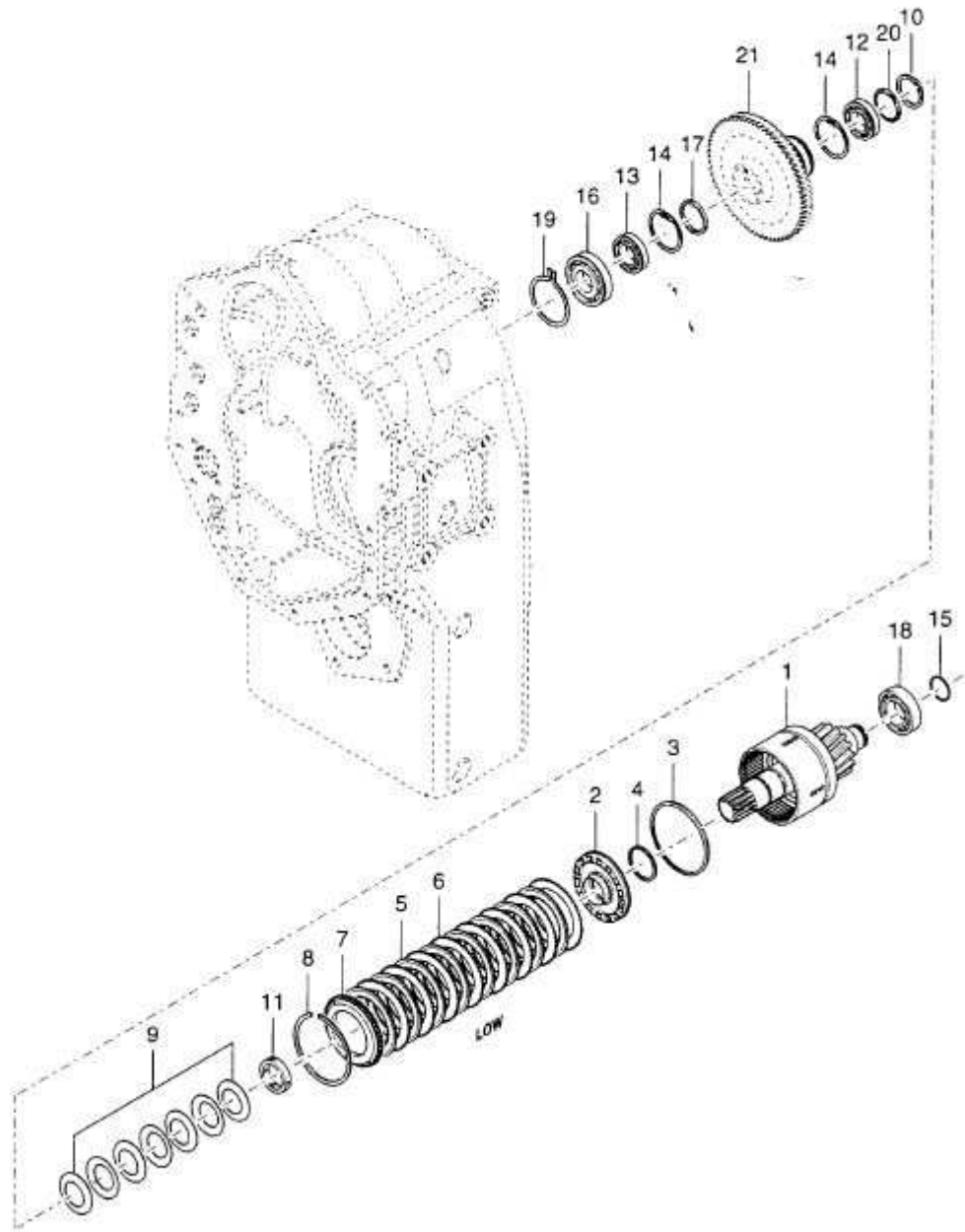


**T20000**  
**REVERSE IDLER GROUP**

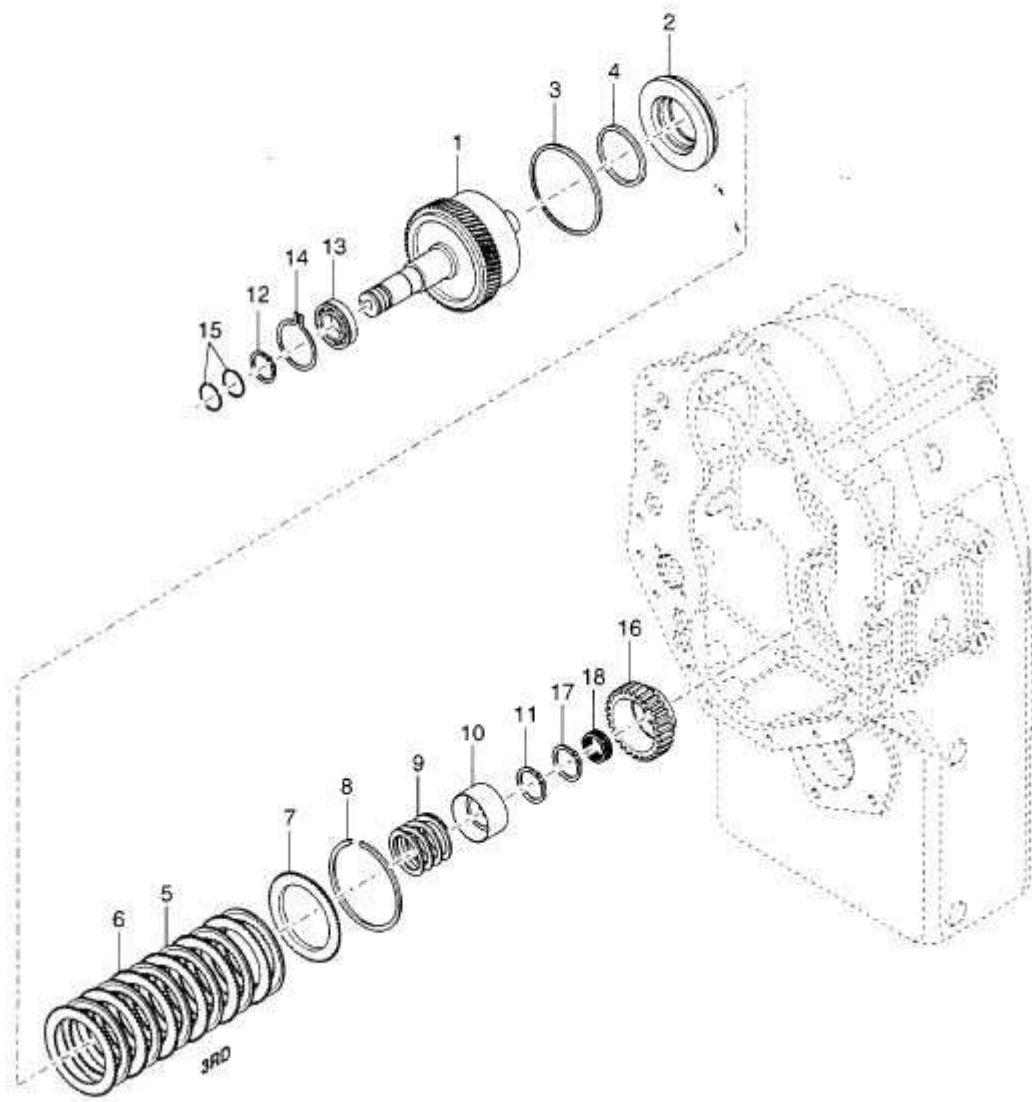


# T20000

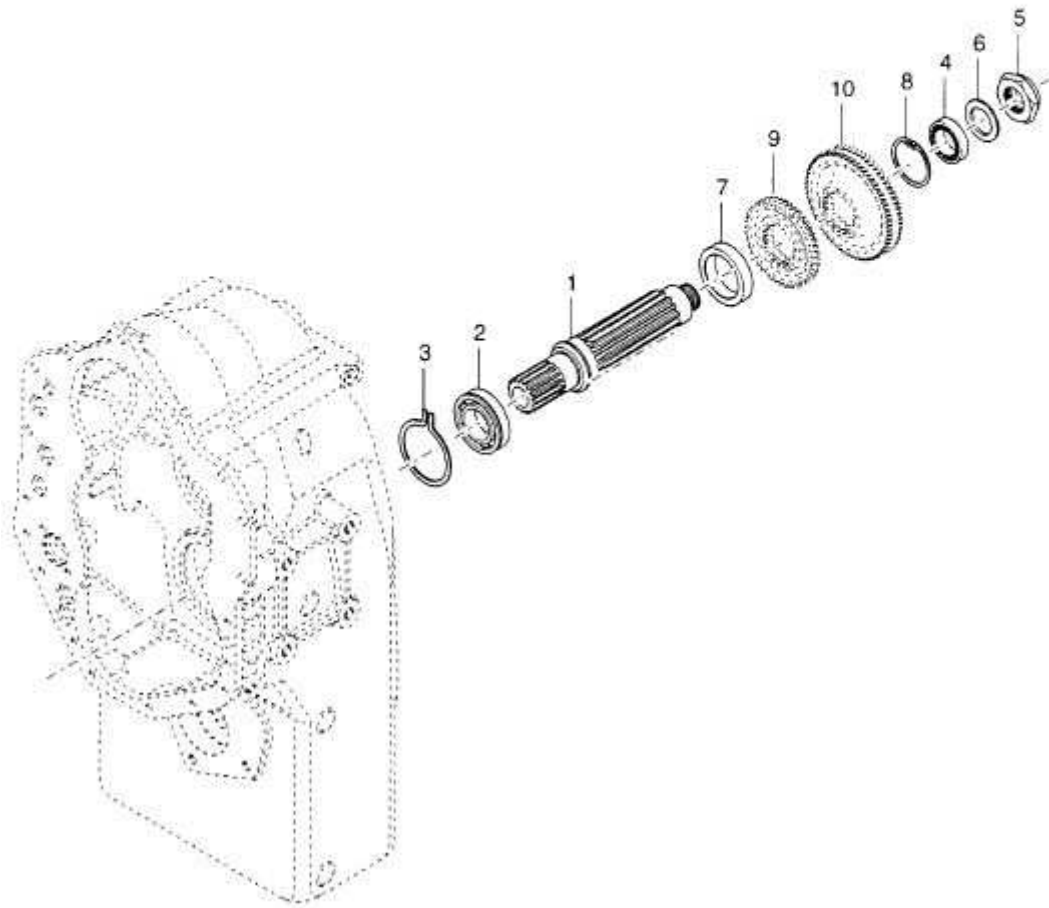
## LOW SPEED SHAFT GROUP



### T20000 3RD SHAFT GROUP

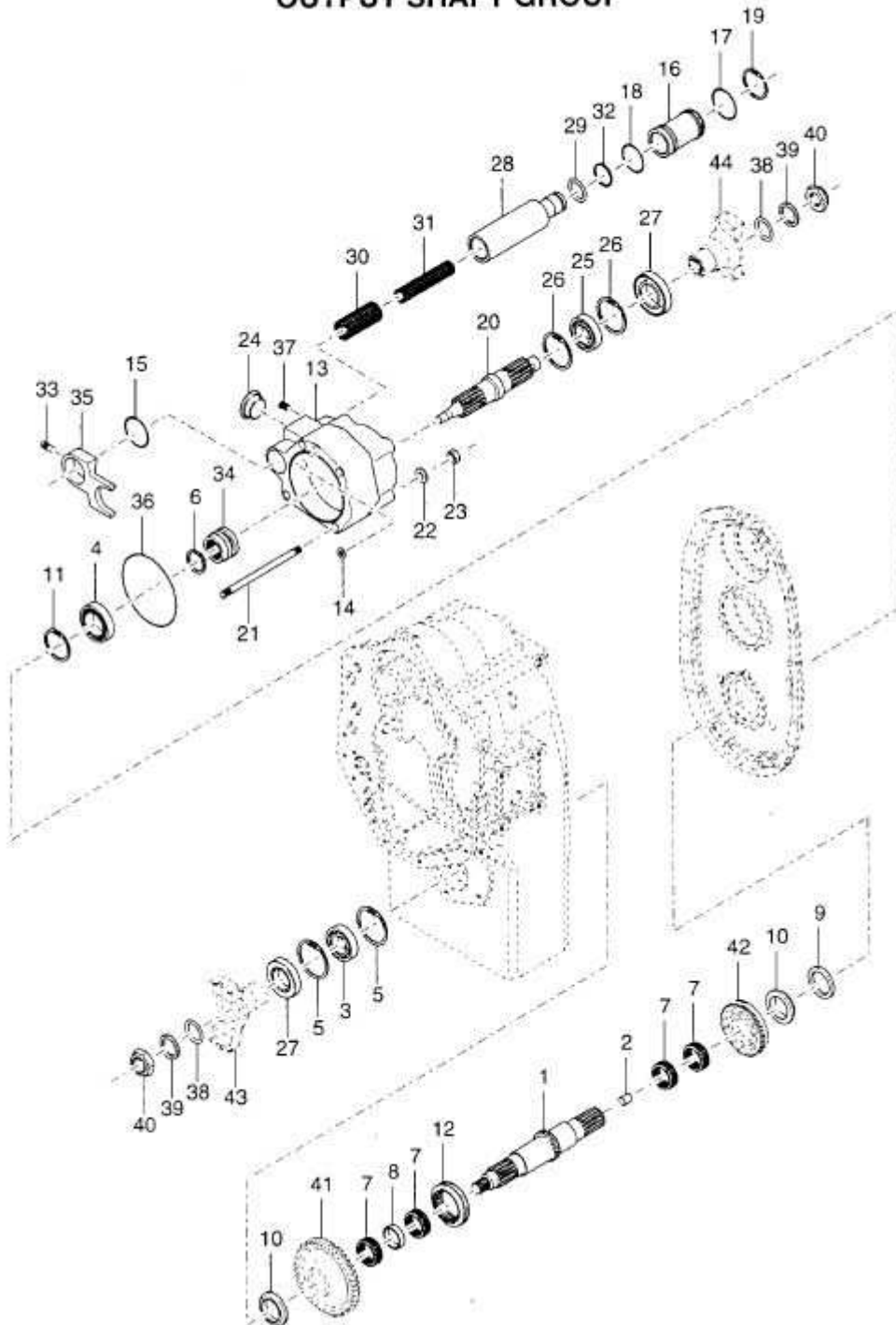


**T20000**  
**IDLER SHAFT GROUP**



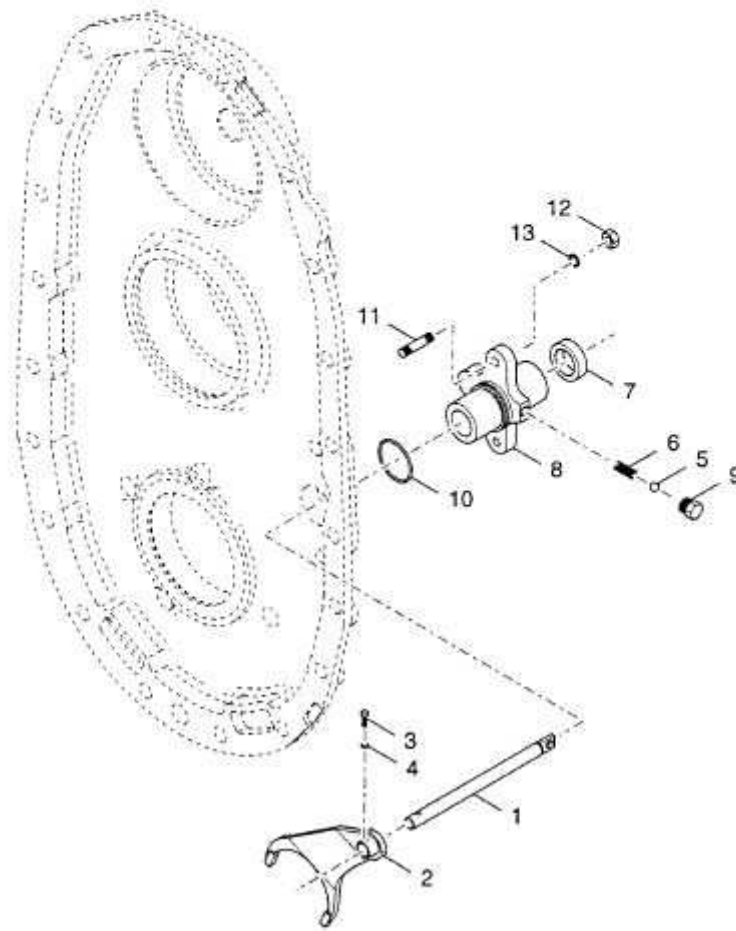
# T20000

## OUTPUT SHAFT GROUP



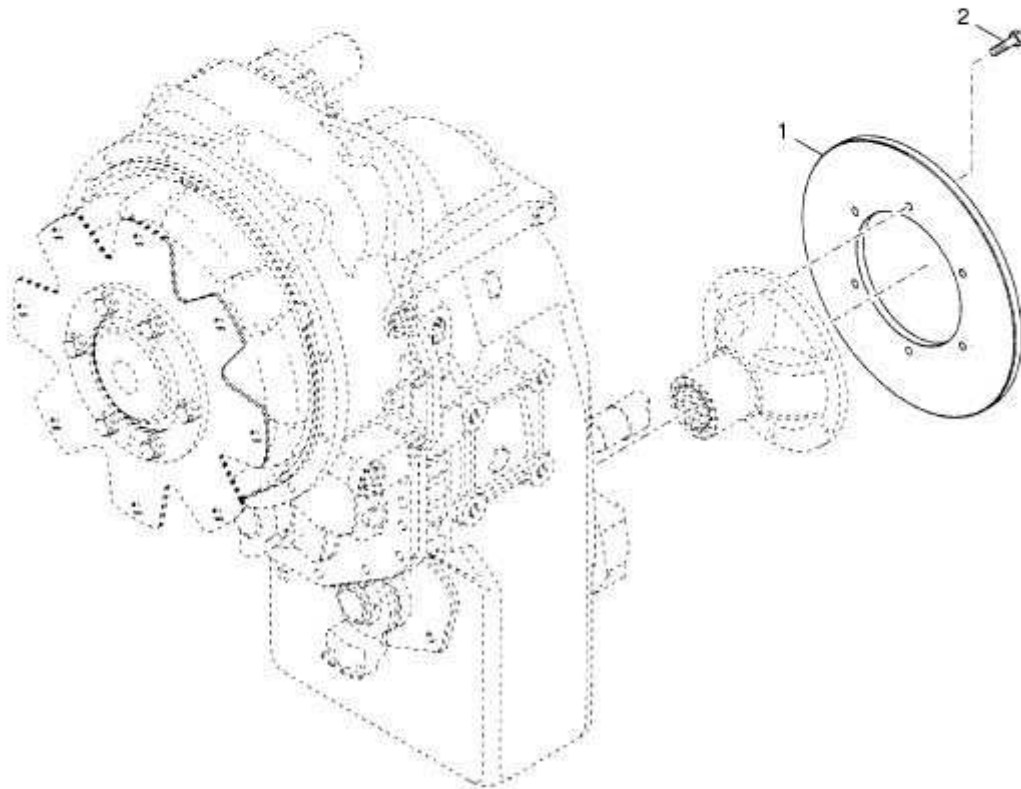
# T20000

## HIGH & LOW RANGE SHIFT CONTROL GROUP

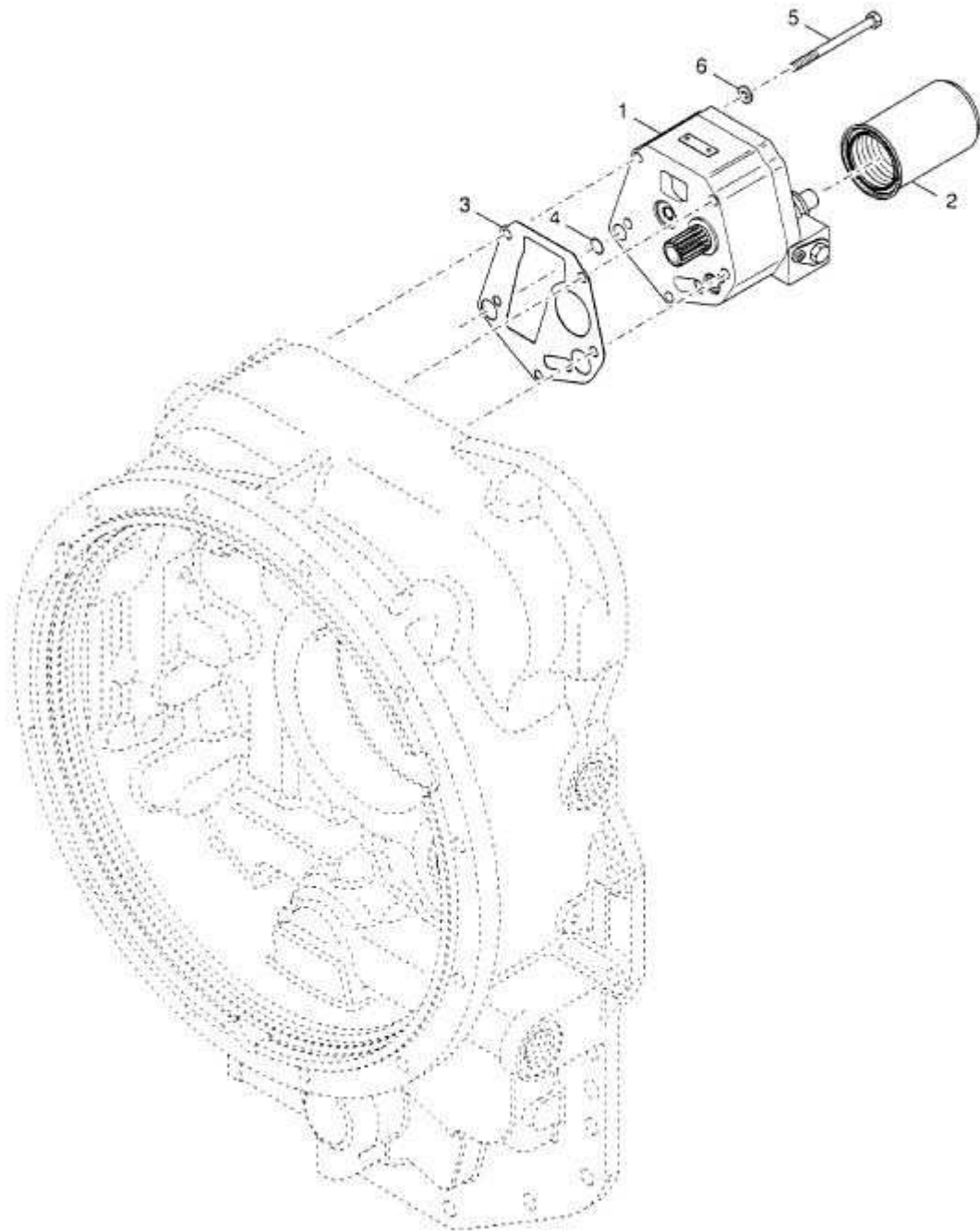




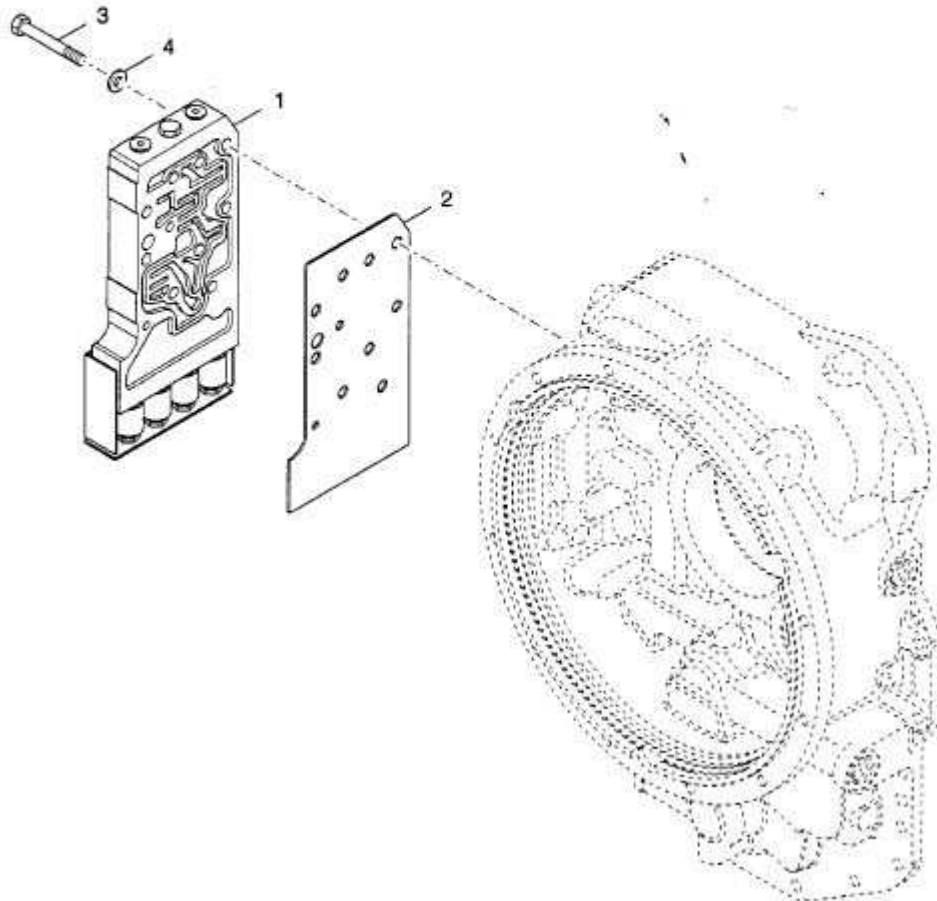
**T20000**  
**DISC BRAKE GROUP**



**T20000**  
**CHARGING PUMP & FILTER GROUP**



**T20000**  
**ELECTRIC CONTROL VALVE MOUNTING GROUP**



# T20000

## ELECTRONIC CONTROL VALVE ASSEMBLY

