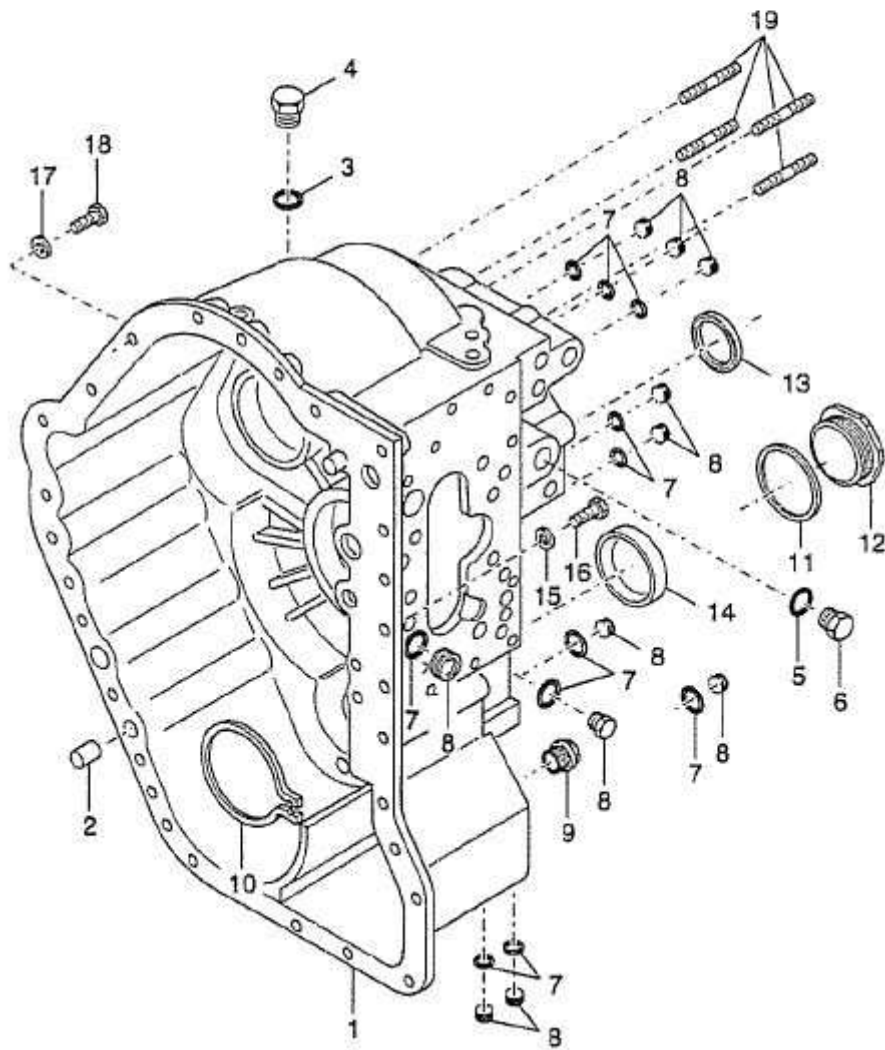




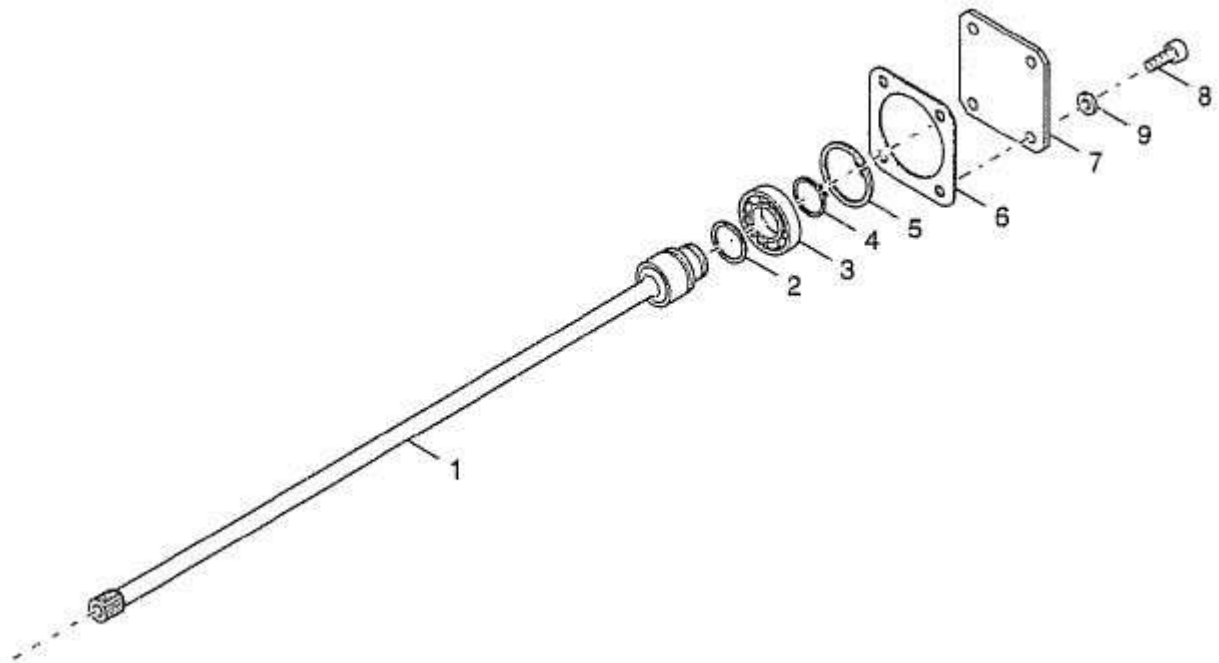
# T16000

## TRANSMISSION CASE GROUP



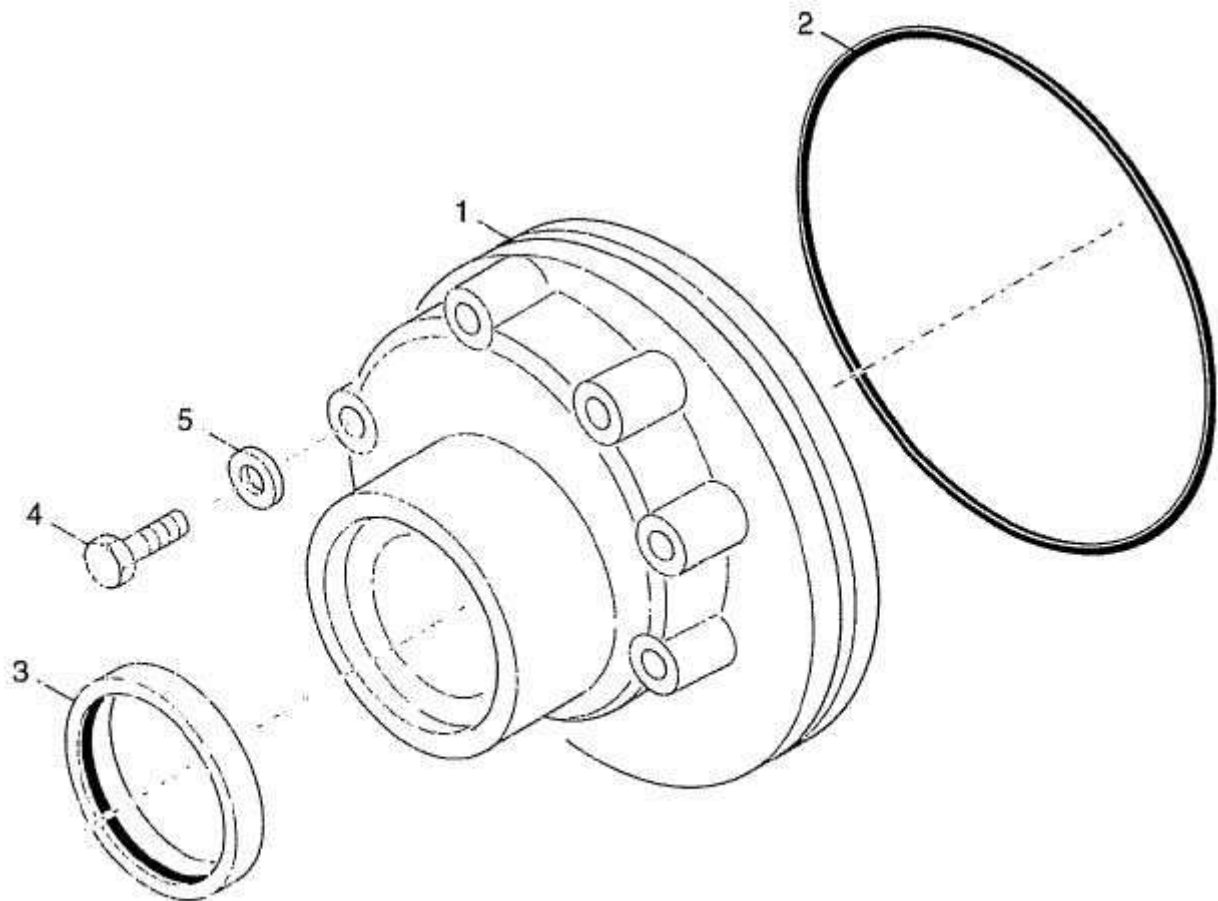
# T16000

## PUMP DRIVE GROUP



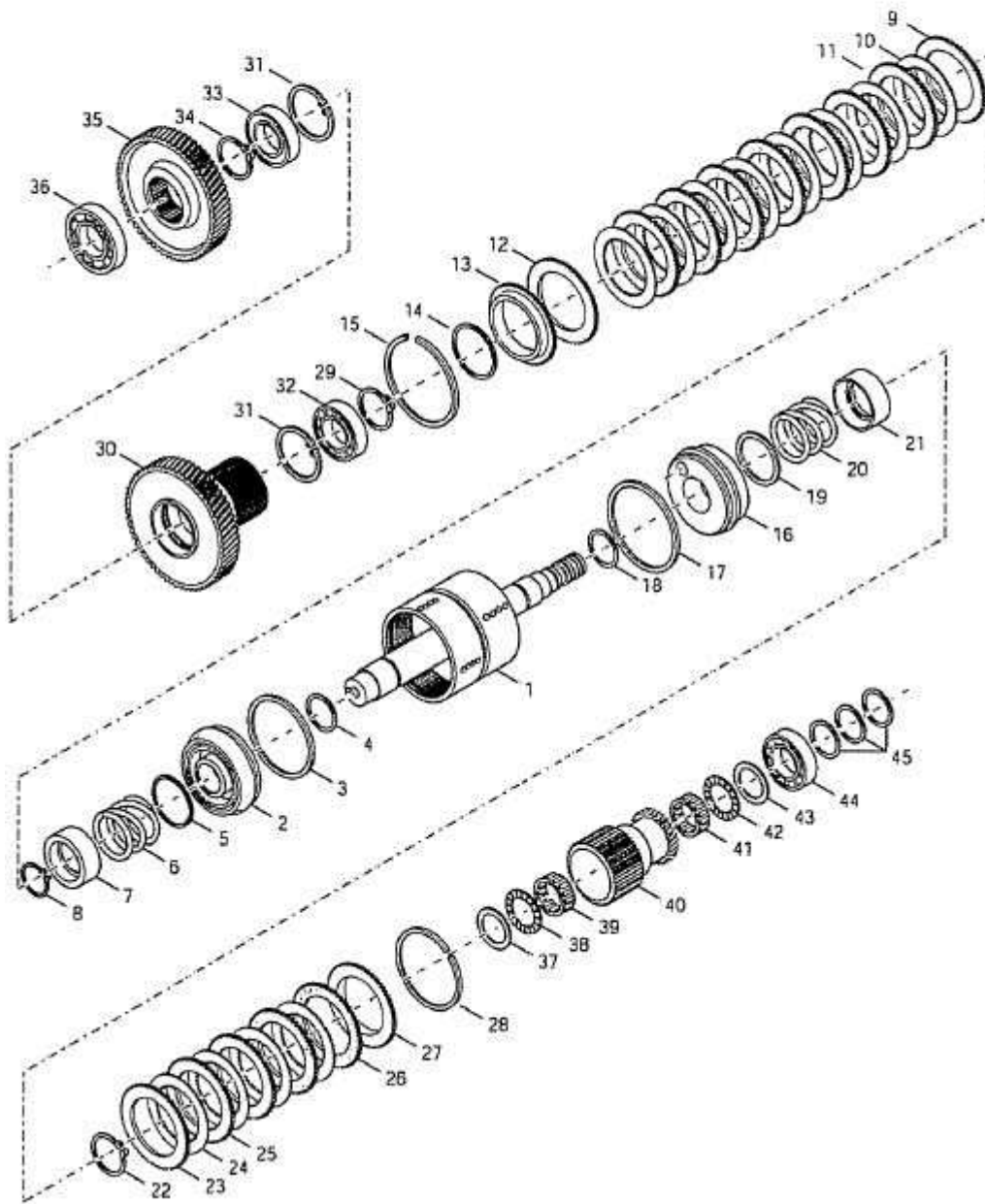
# T16000

## CHARGING PUMP GROUP

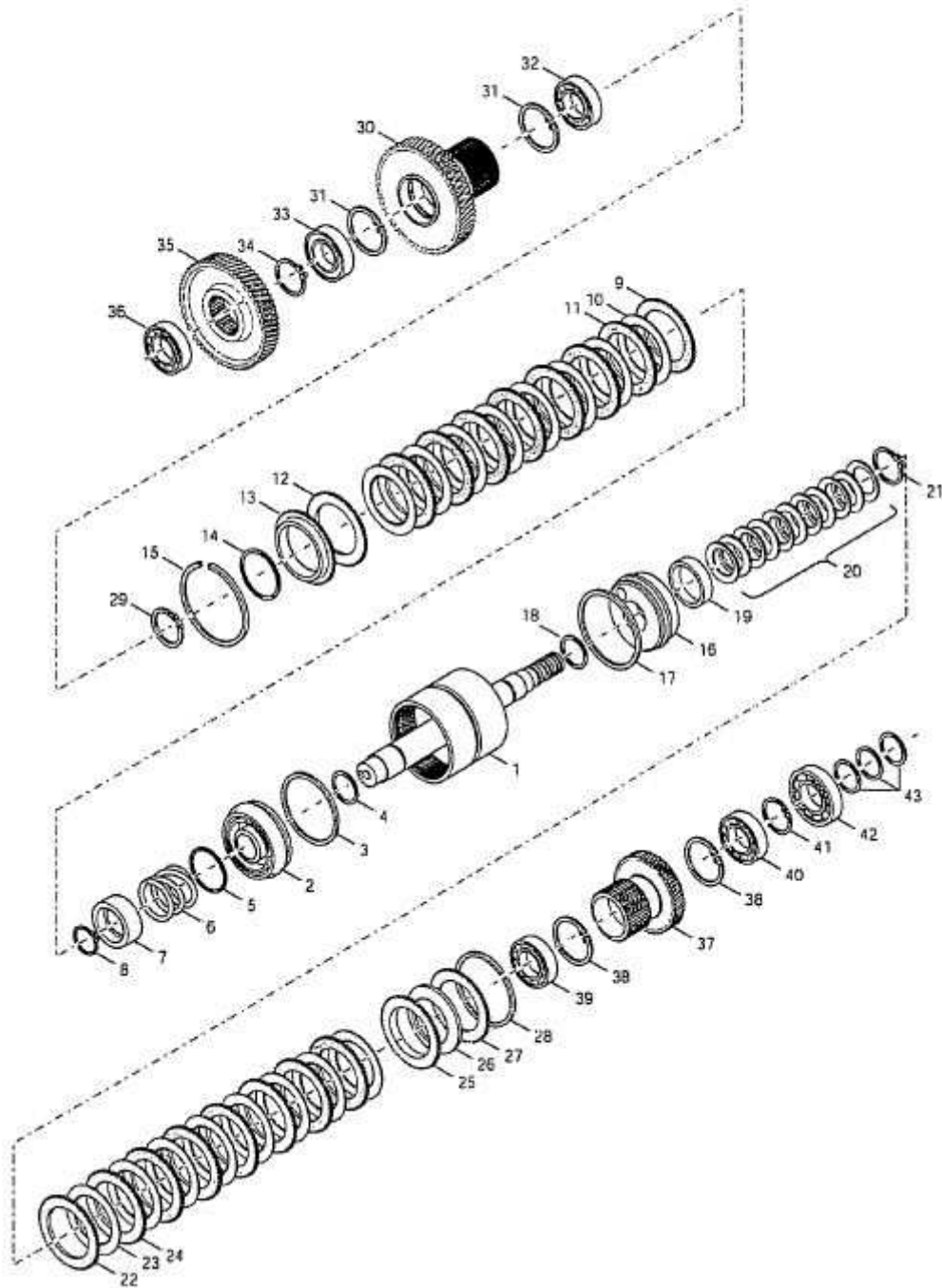


### T16000

FWD LOW / FWD HIGH SHAFT AND GEARS GROUP

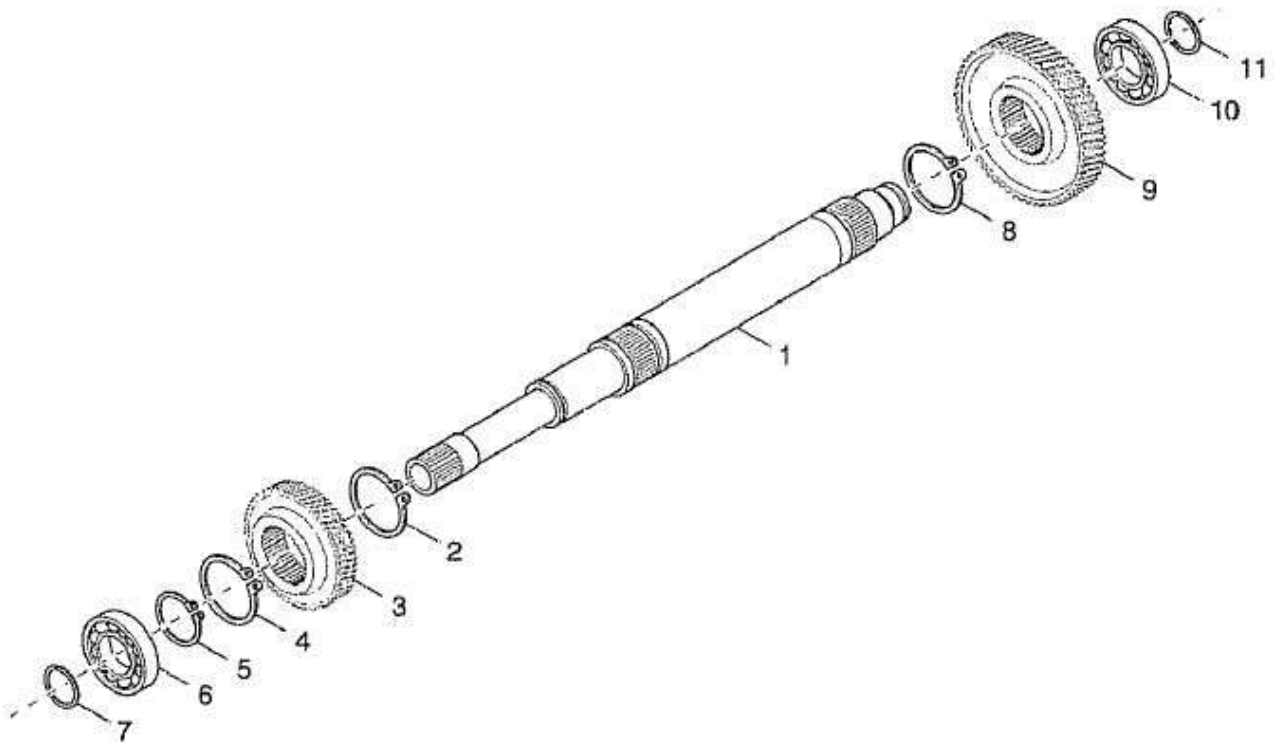


### T16000 REVERSE / 1ST SHAFT AND GEARS GROUP

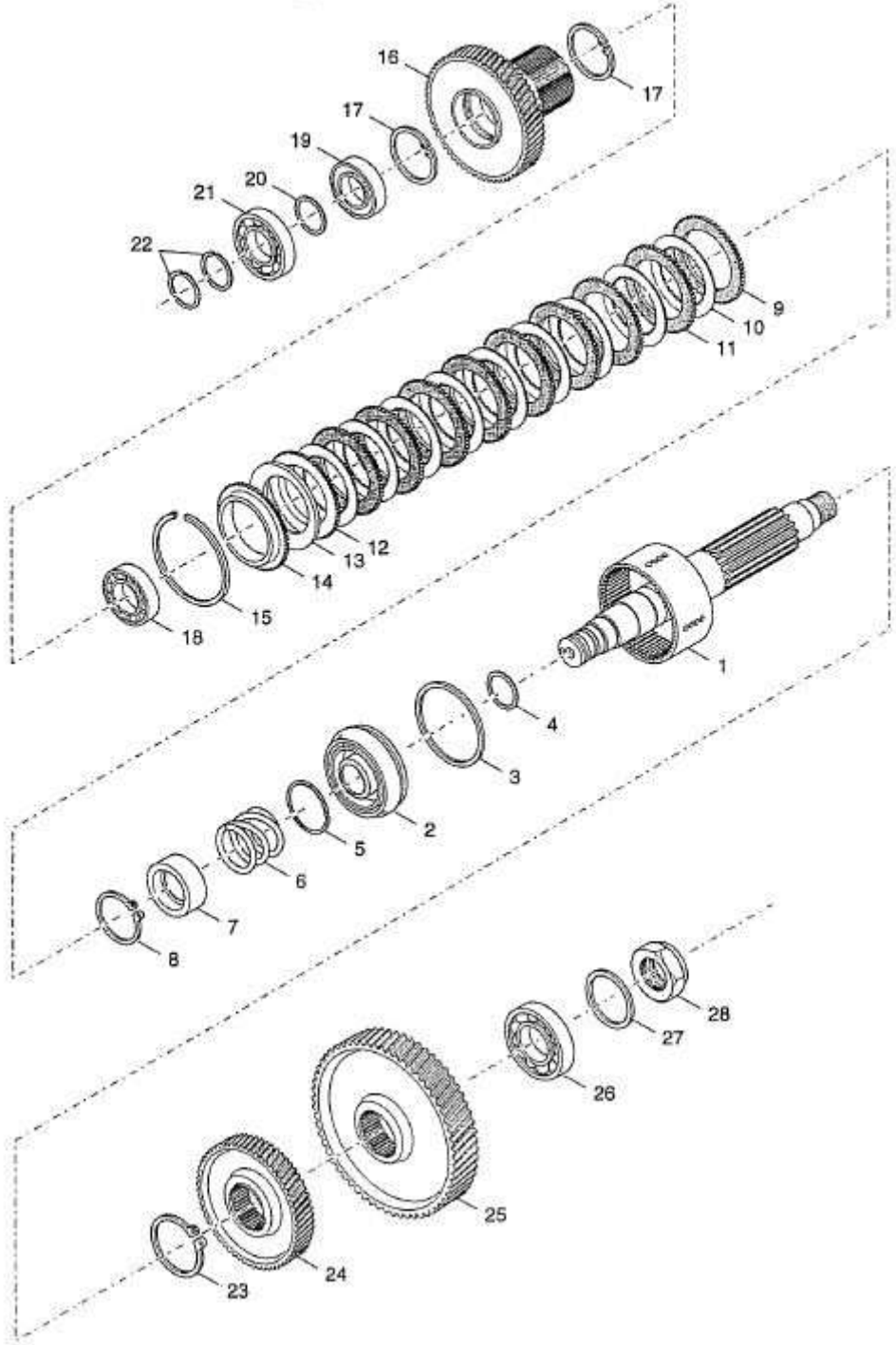


# T16000

## INPUT SHAFT GROUP



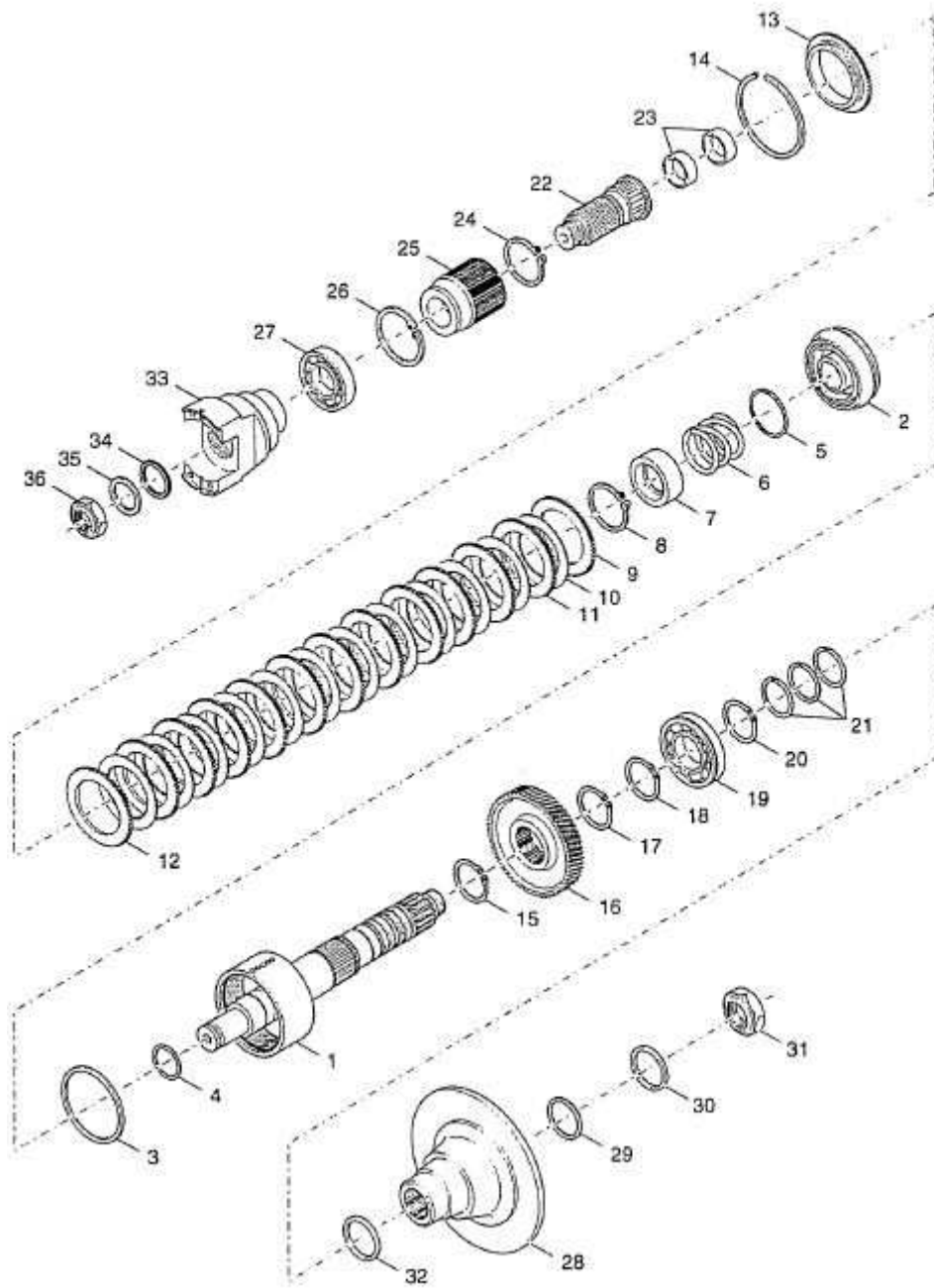
**T16000**  
**2ND SHAFT GROUP**





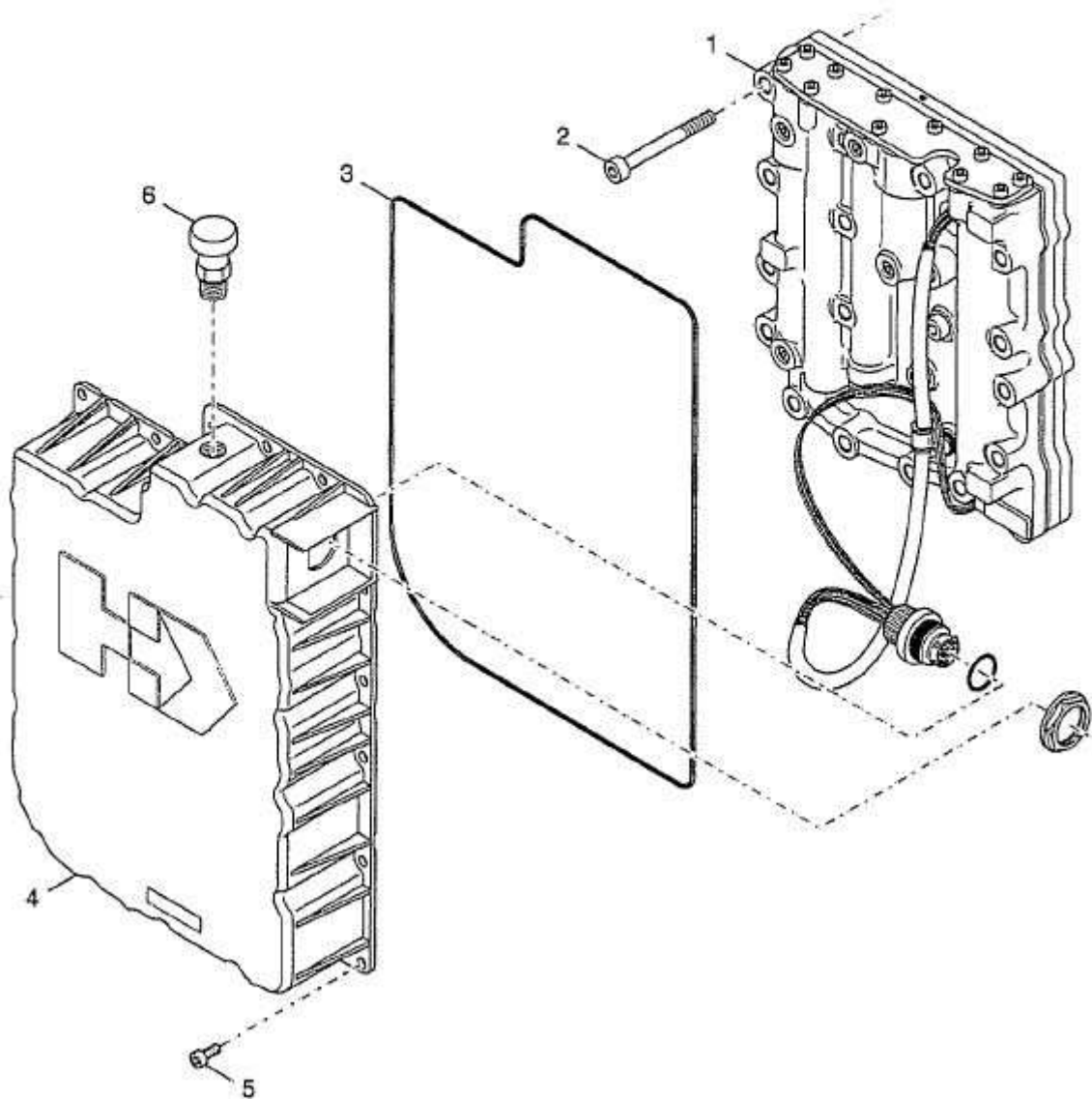
### T16000

#### OUTPUT SHAFT WITH INTERNAL DISCONNECT GROUP



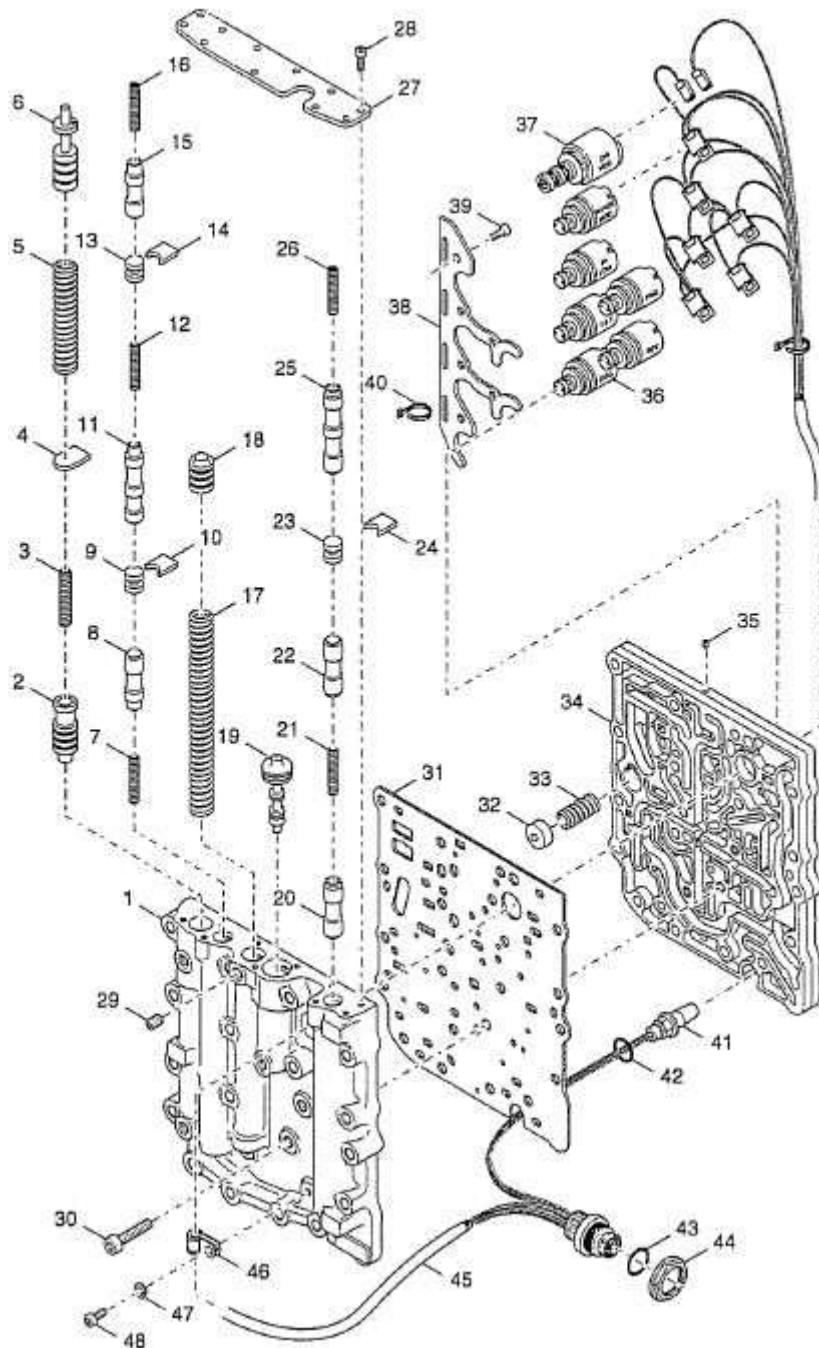
# T16000

## CONTROL VALVE MOUNTING GROUP



### T16000

### CONTROL VALVE ASSEMBLY



# T16000

## DRIVE PLATE GROUP

