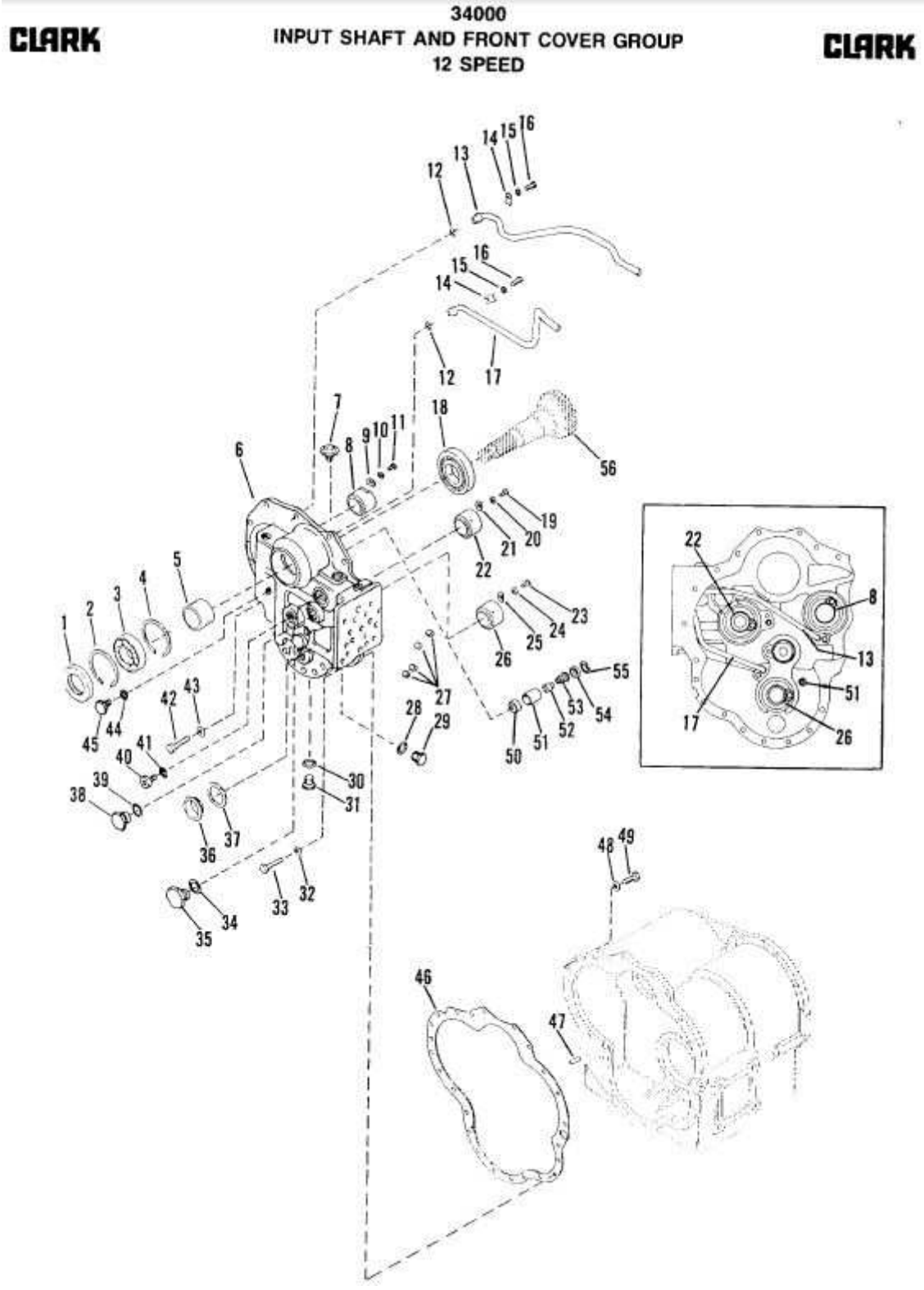


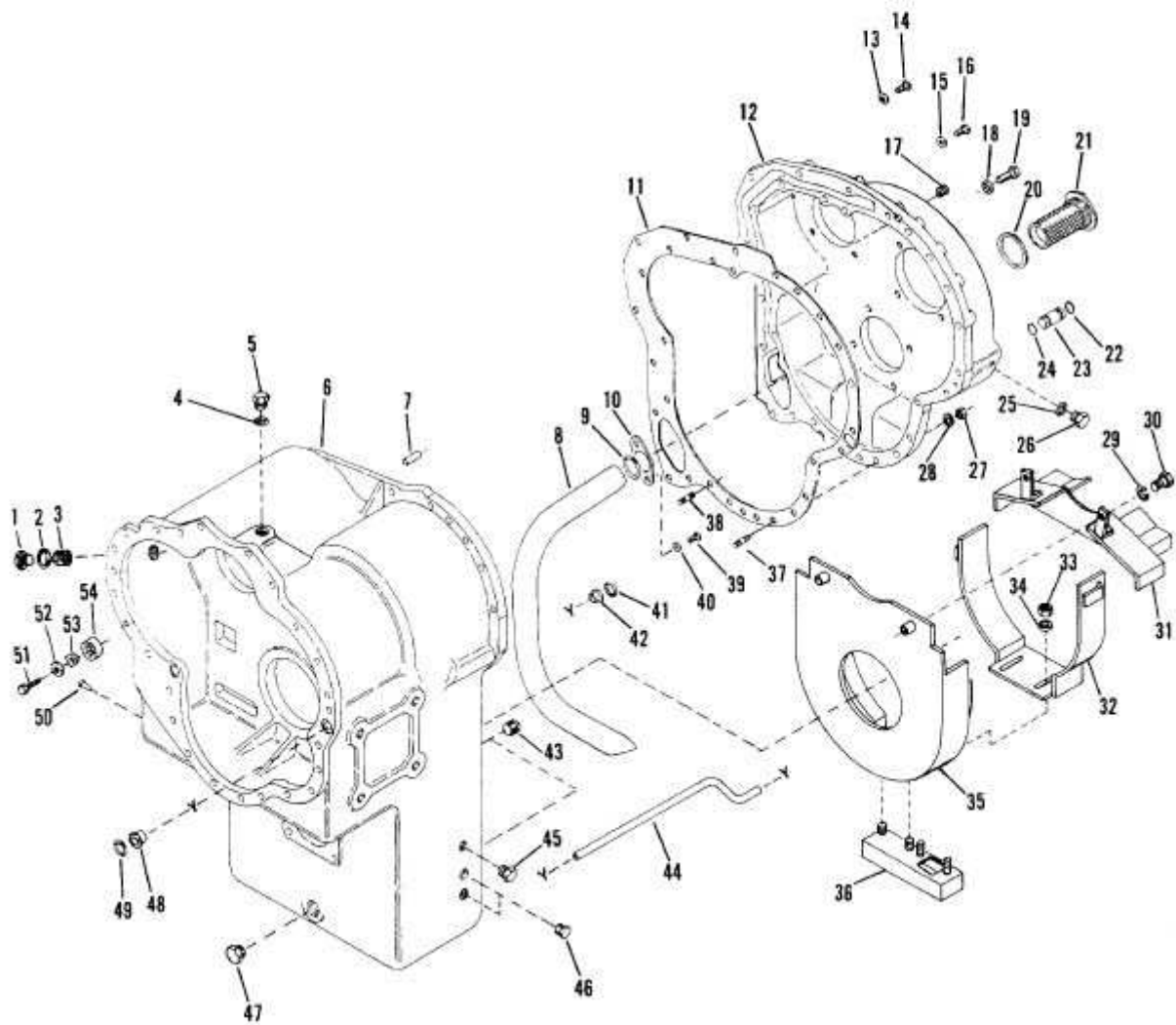
VUES NUES BOITE DANA N° R34261-555 291246

Vue n° 1





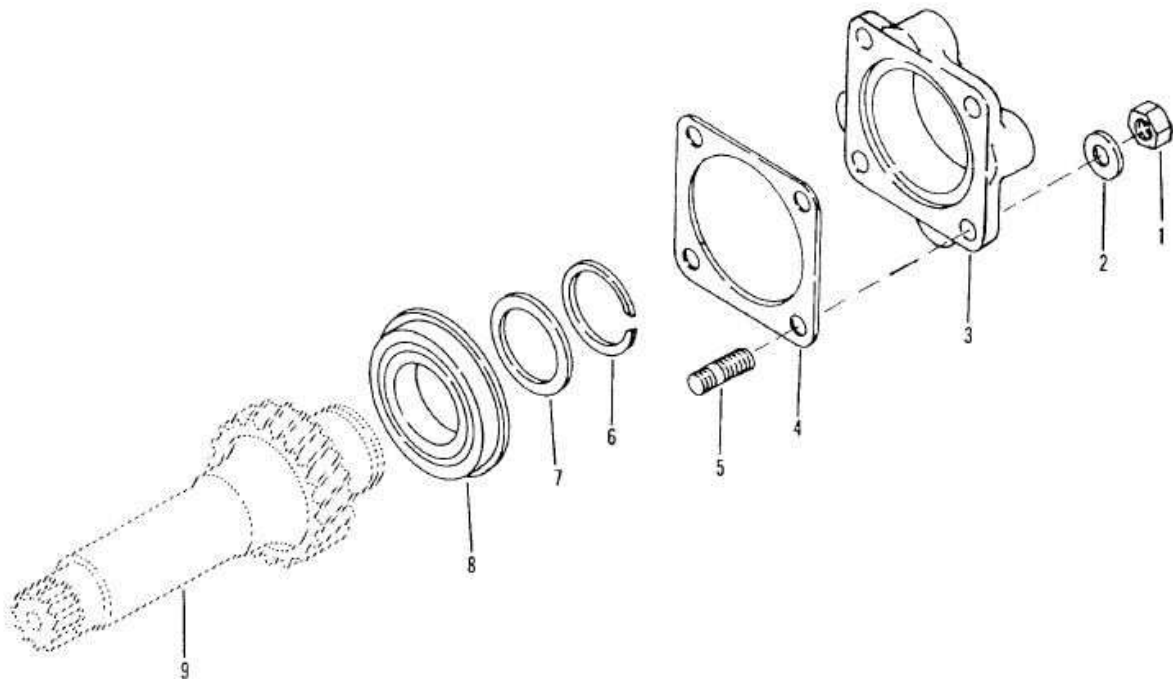
34000  
TRANSMISSION CASE AND REAR COVER GROUP  
12 SPEED



**CLARK**

**CLARK**

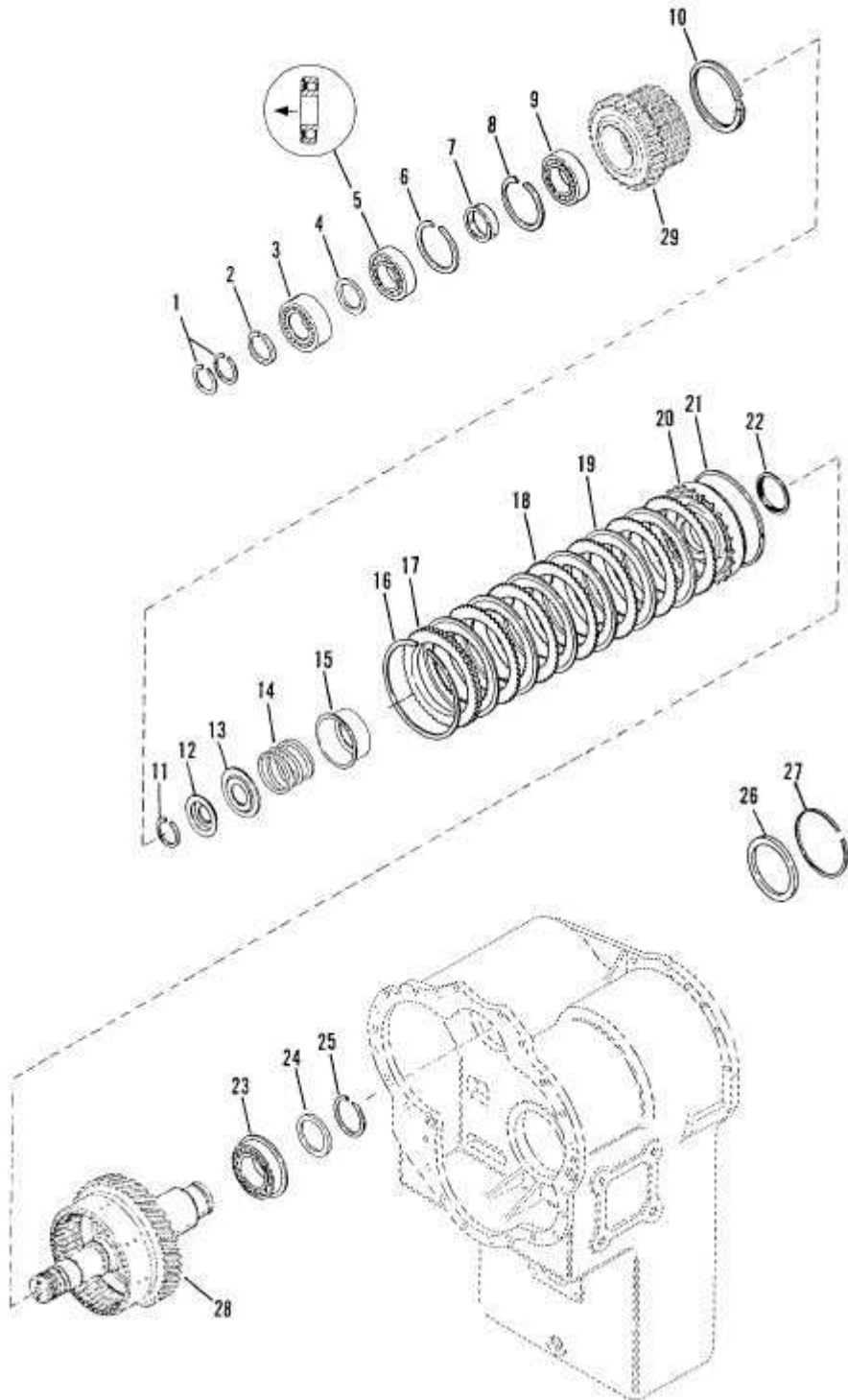
32000  
LOW SPEED DRIVE GROUP



**CLARK**

**34000  
FORWARD CLUTCH SHAFT GROUP**

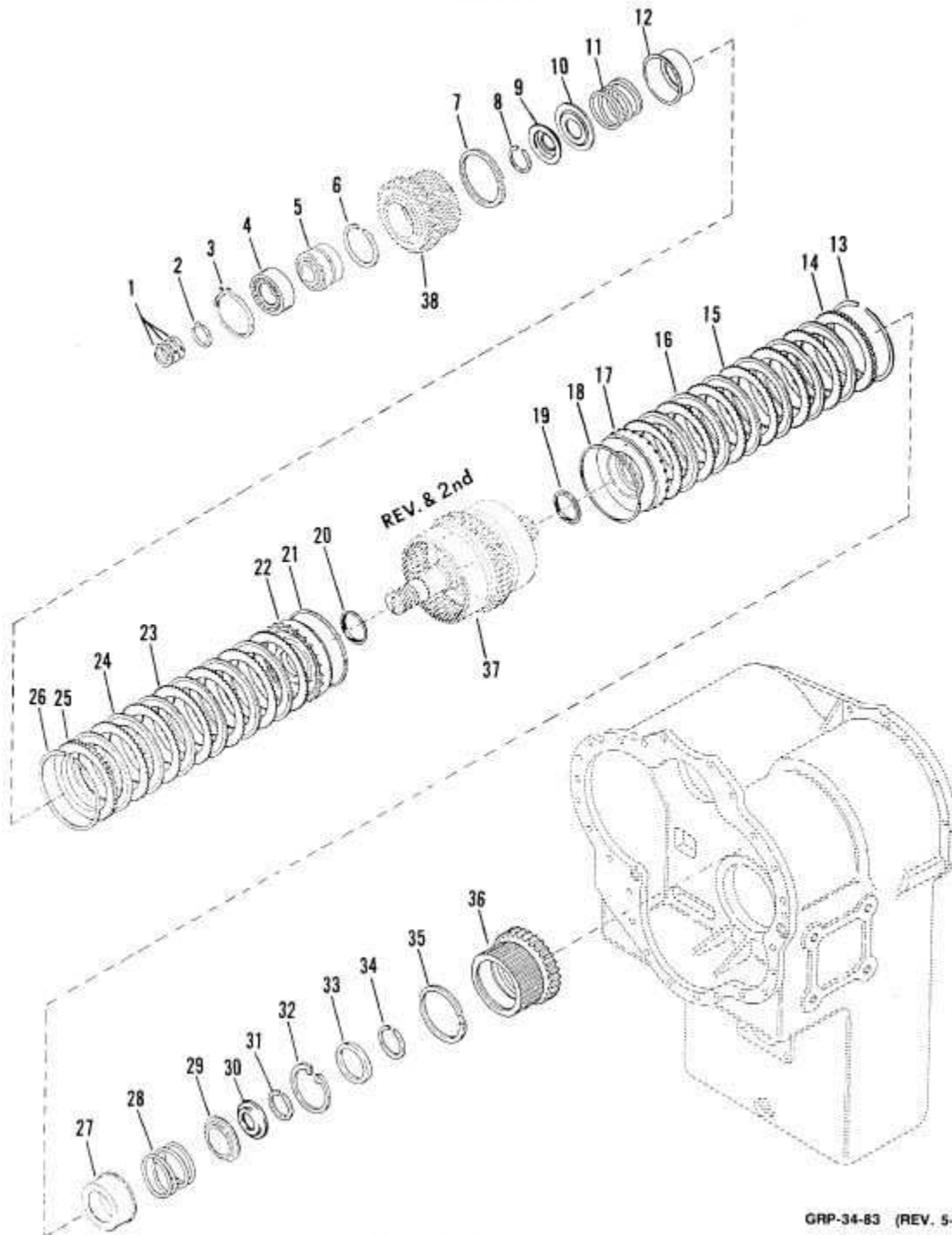
**CLARK**



**CLARK**

34000  
REVERSE AND 2ND SHAFT CLUTCH GROUP  
6 SPEED

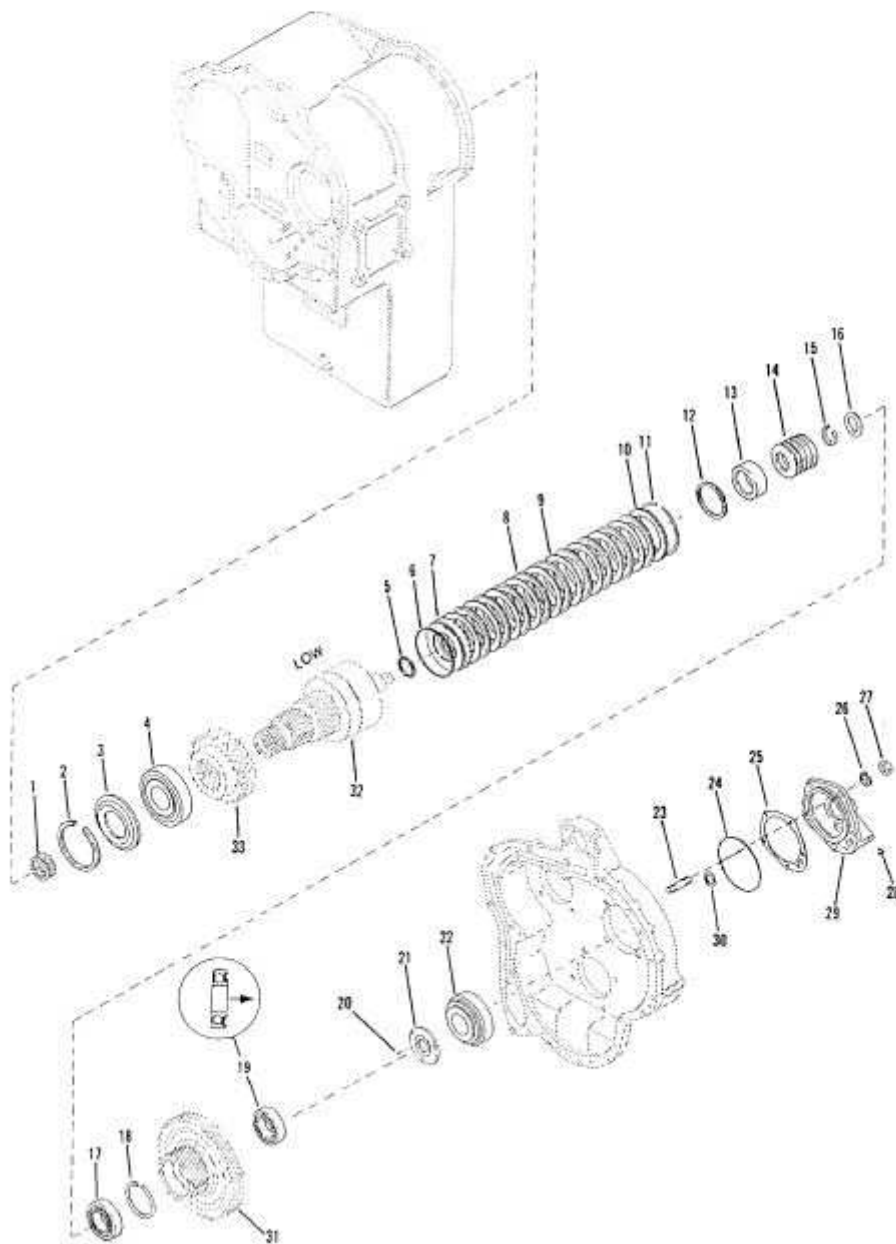
**CLARK**



**CLARK**

**CLARK**

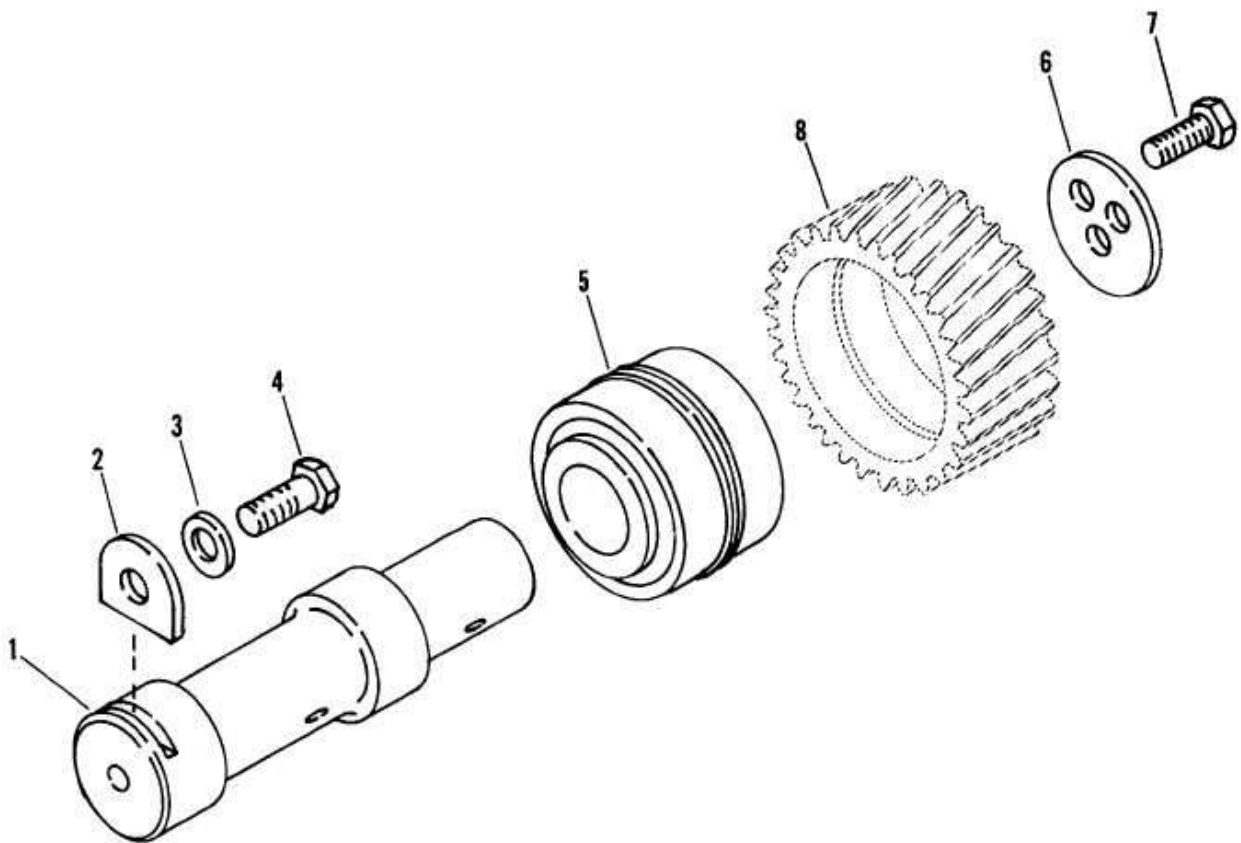
**34000  
LOW (1ST) SPEED CLUTCH SHAFT GROUP**



**CLARK**

**CLARK**

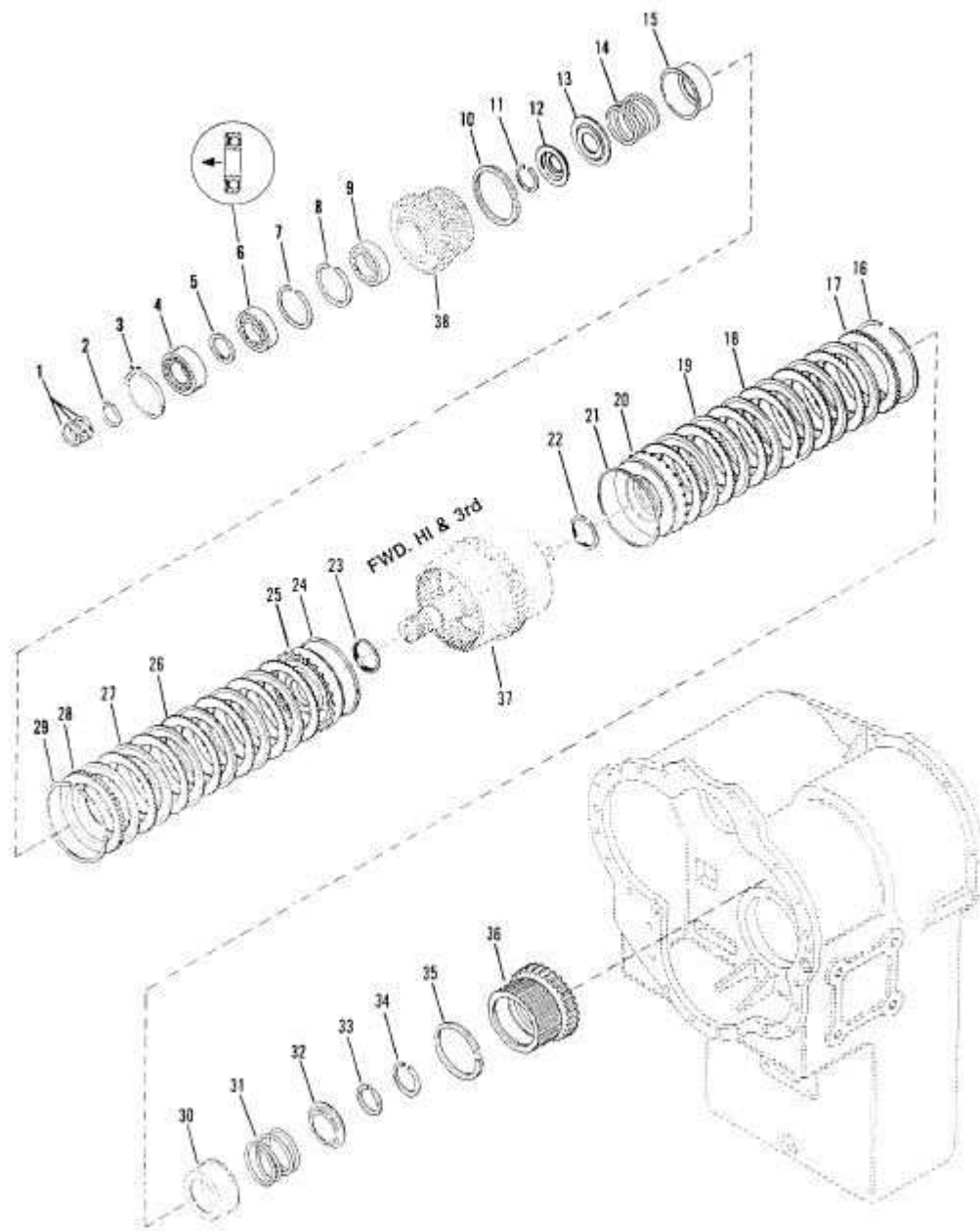
**34000  
FORWARD-HIGH CLUTCH IDLER GROUP**



**CLARK**

**CLARK**

**34000**  
**FORWARD HIGH AND 3RD SHAFT CLUTCH GROUP**  
**6 AND 12 SPEED**

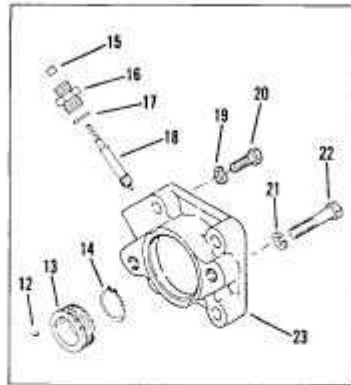




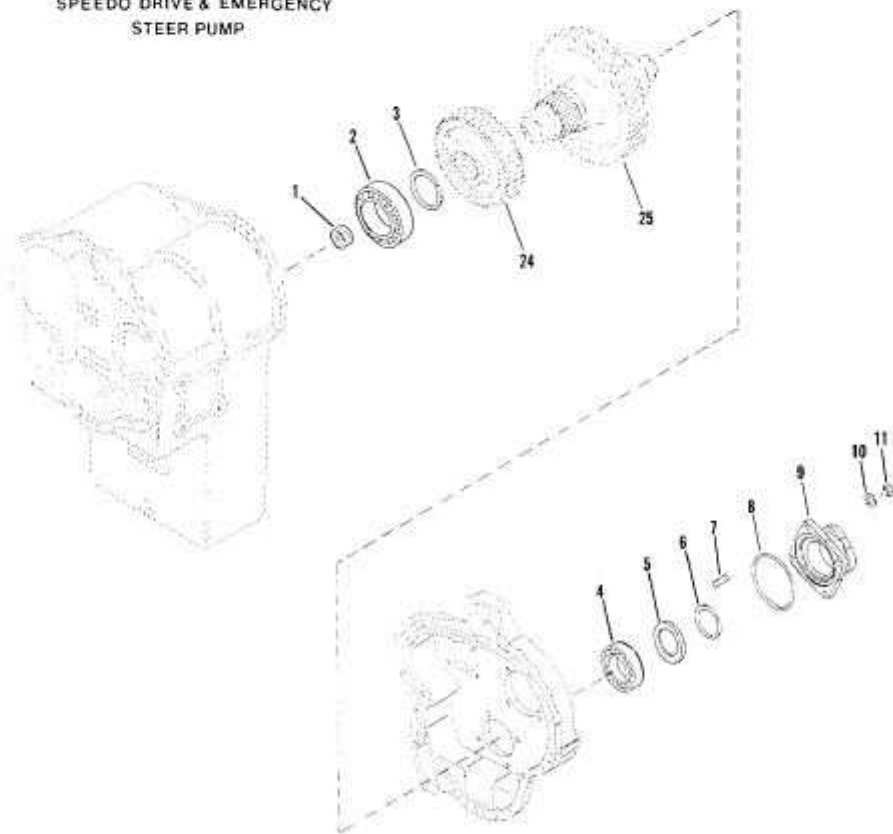
**CLARK**

**34000  
IDLER SHAFT GROUP**

**CLARK**

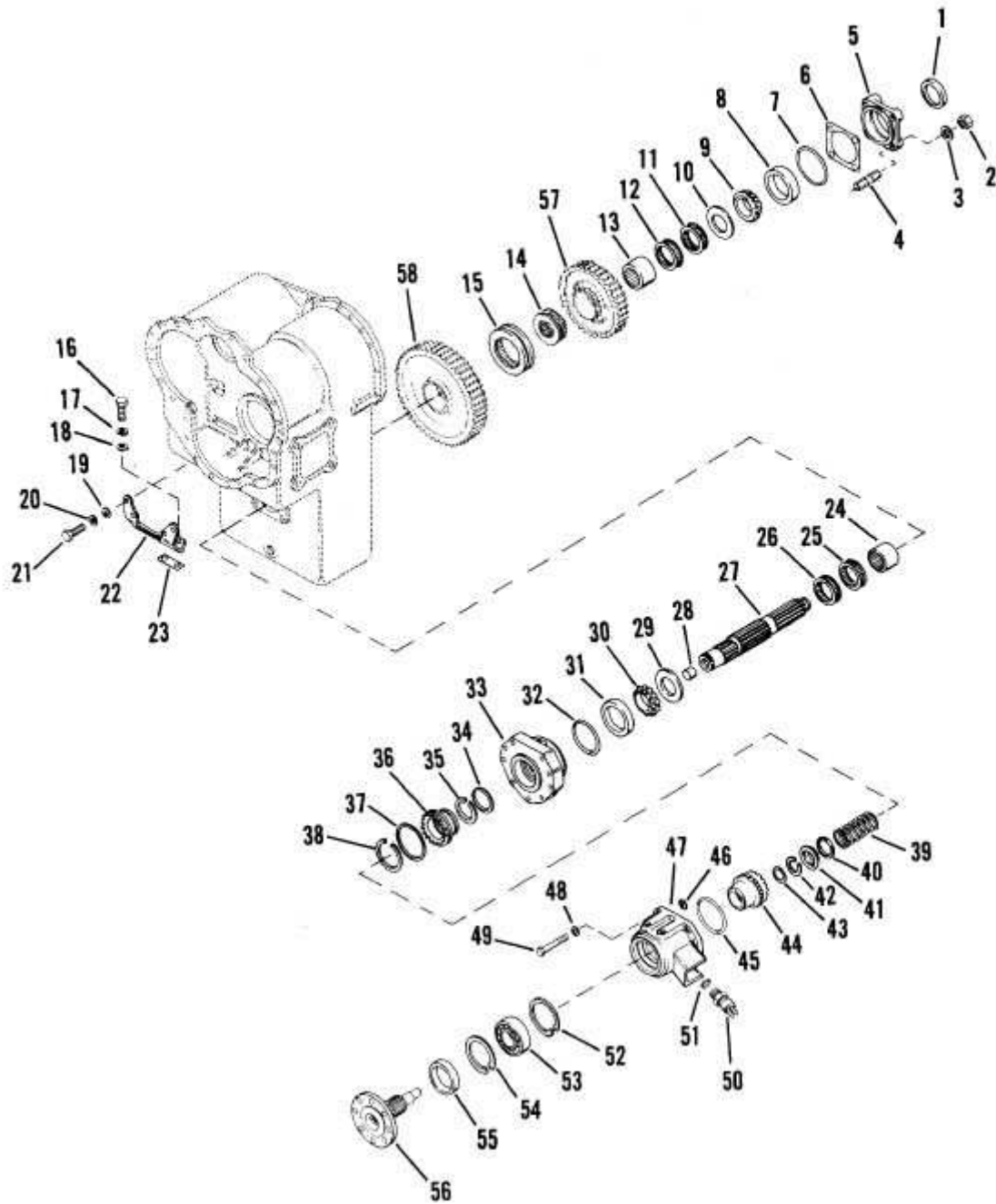


**SPEED DRIVE & EMERGENCY  
STEER PUMP**



**CLARK-HURTH**  
COMPONENTS

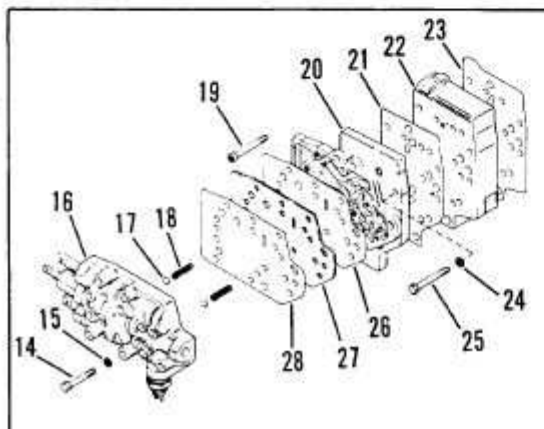
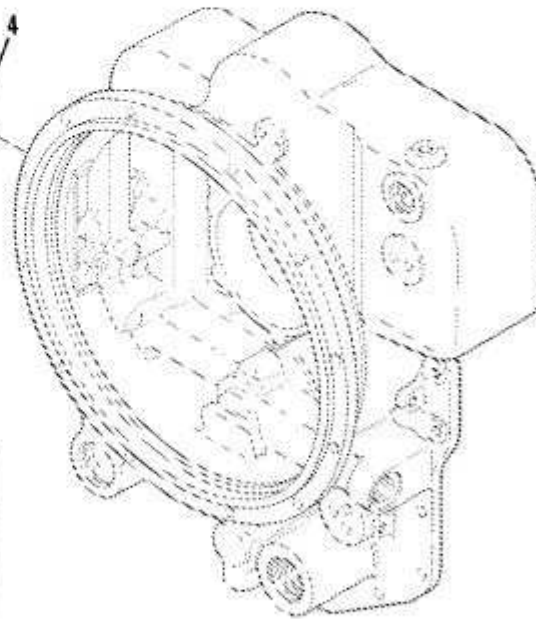
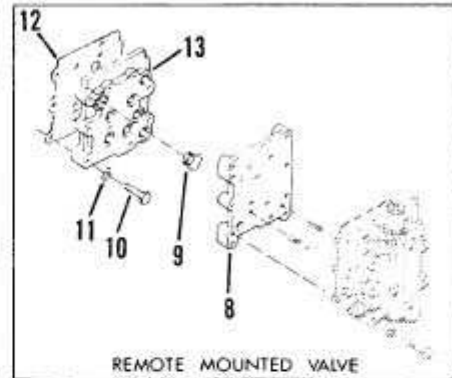
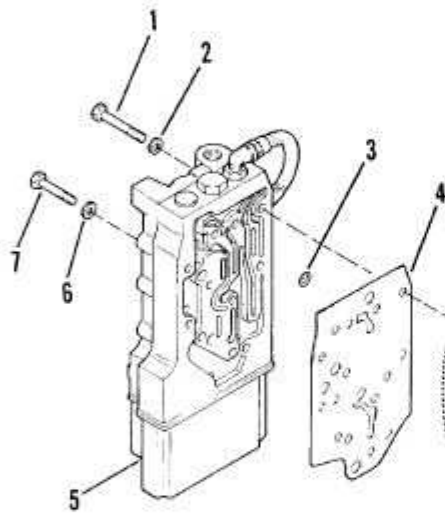
34000  
OUTPUT SHAFT GROUP  
FRONT DISCONNECT



**CLARK**

**CLARK**

**18000 - 6 SPEED ELECTRIC CONTROL VALVE MOUNTING GROUP**

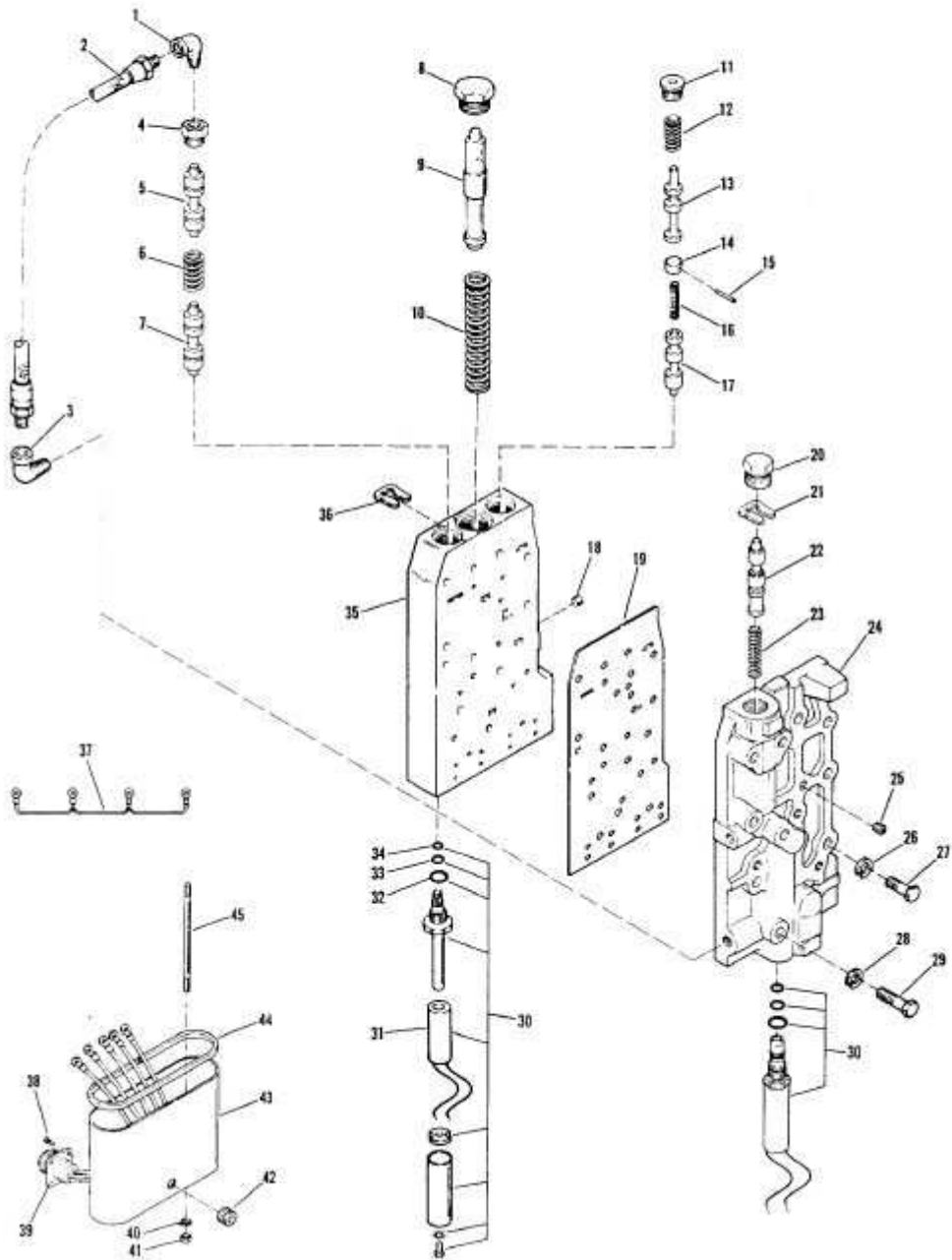


ROTATED VALVE

**CLARK**

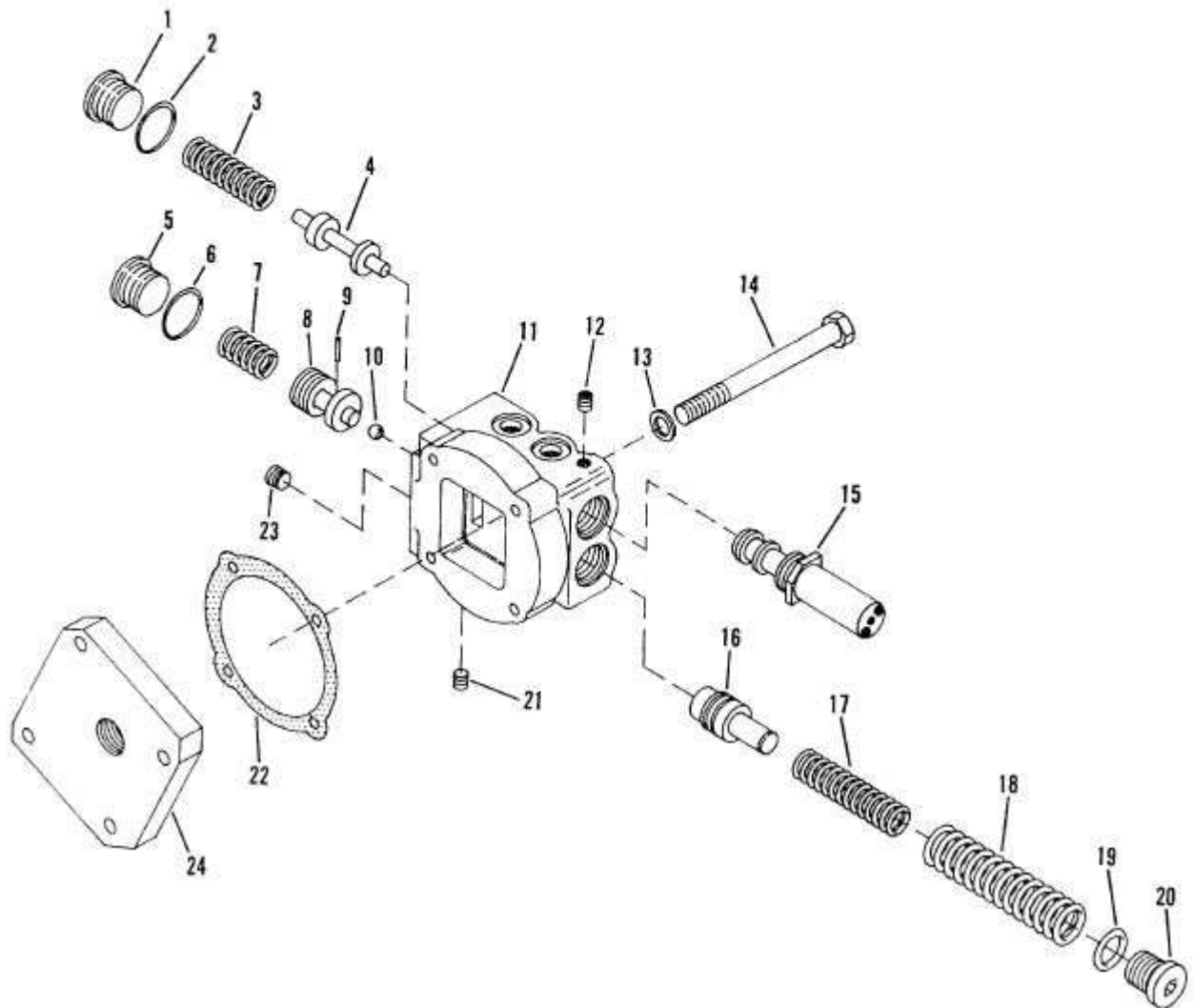
**CLARK**

**18000 ELECTRIC CONTROL VALVE ASSEMBLY  
(6 SPEED FULL POWER SHIFT)  
(LESS DECLUTCH)**





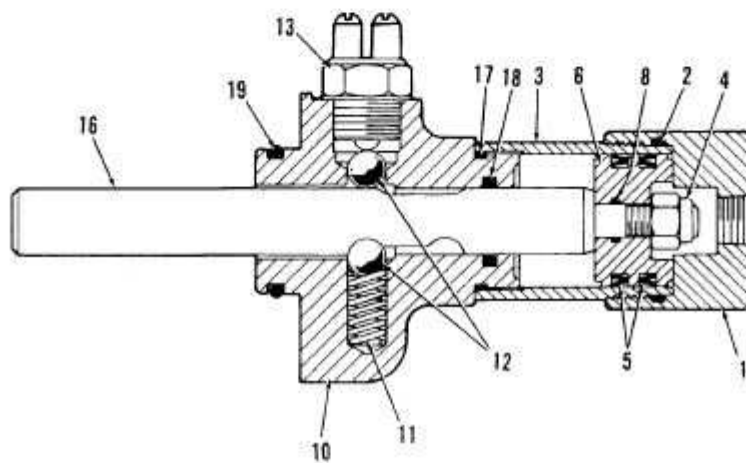
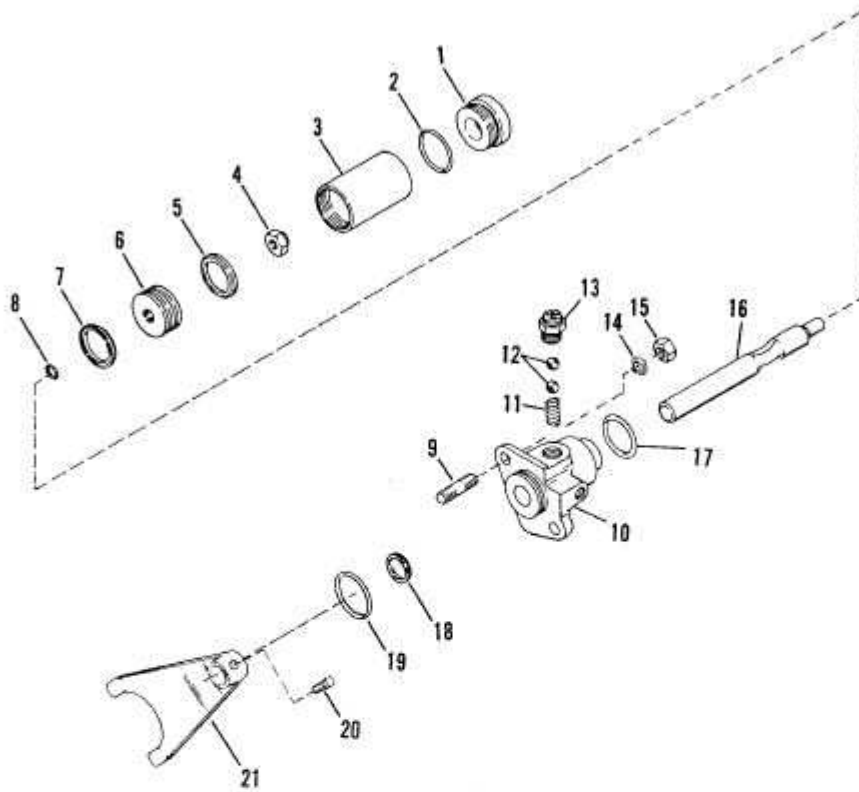
34000  
LOCK-UP MODULATOR VALVE ASSEMBLY



**CLARK**

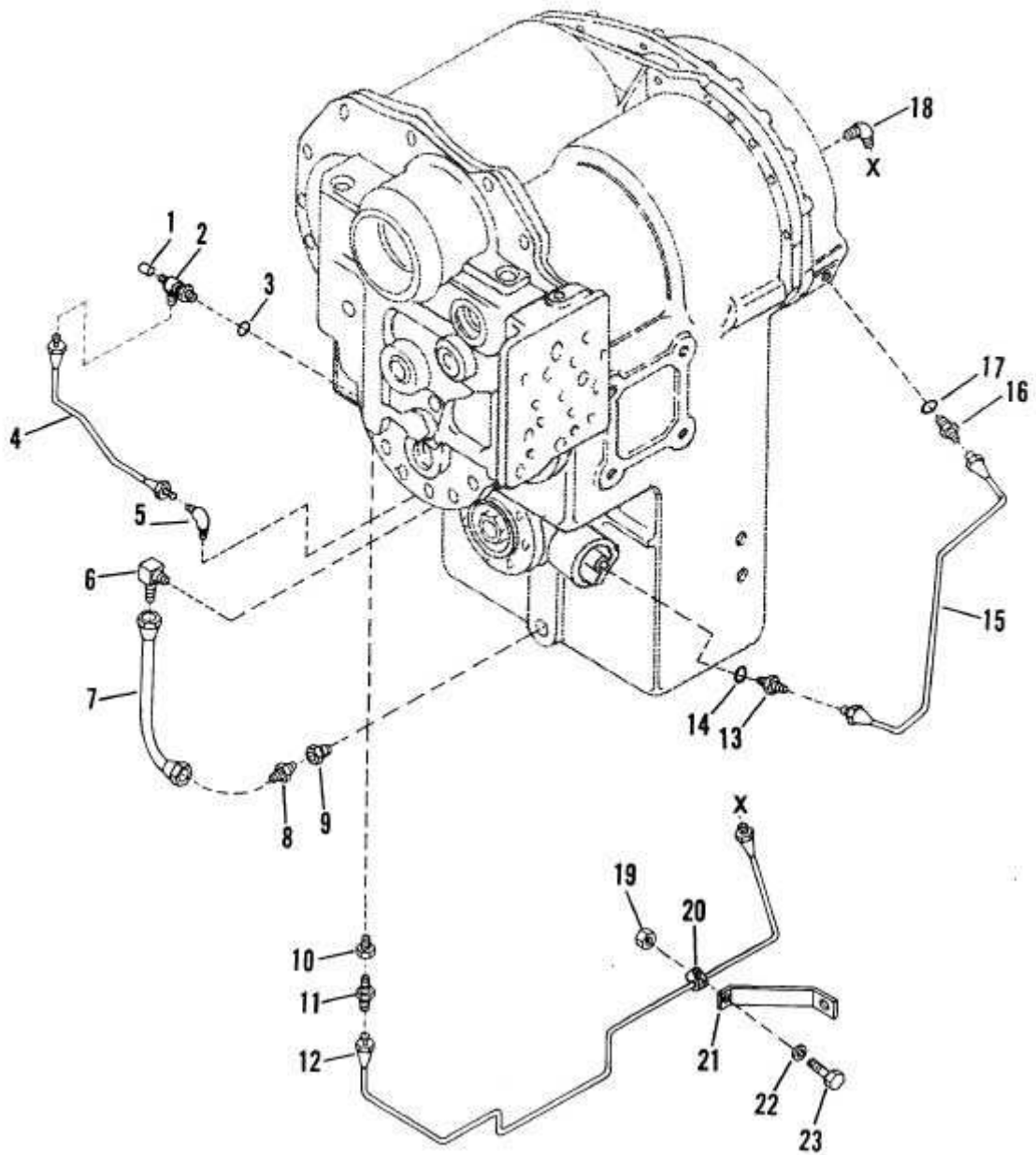
**CLARK**

34000  
HIGH AND LOW RANGE SHIFT CONTROL GROUP



**CLARK-HURTH**  
COMPONENTS

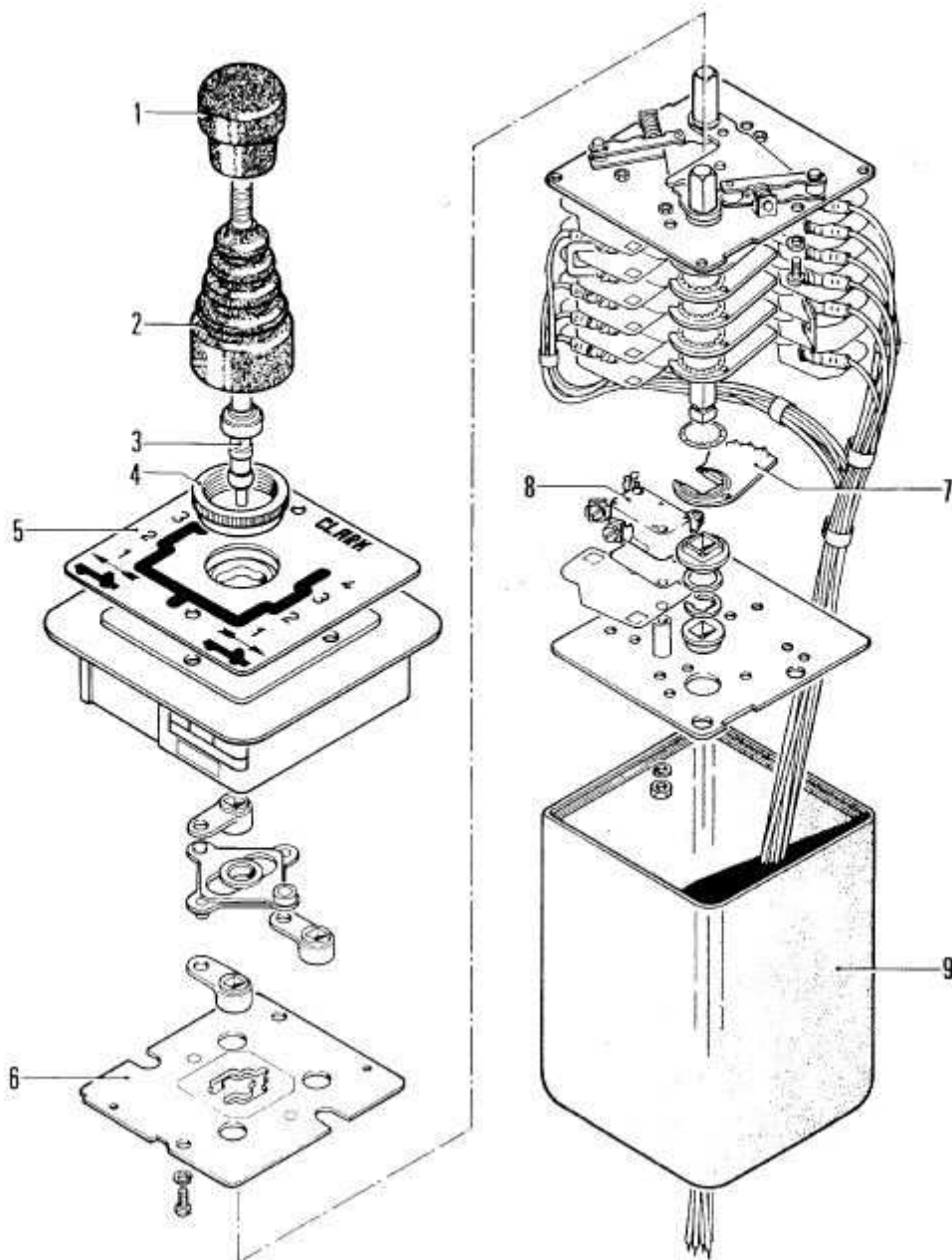
34000  
HYDRAULIC FRONT DISCONNECT PLUMBING GROUP



**CLARK**

**ELECTRIC CAB CONTROL  
SINGLE LEVER**

**CLARK**





FILTER ASSEMBLY 1533614

